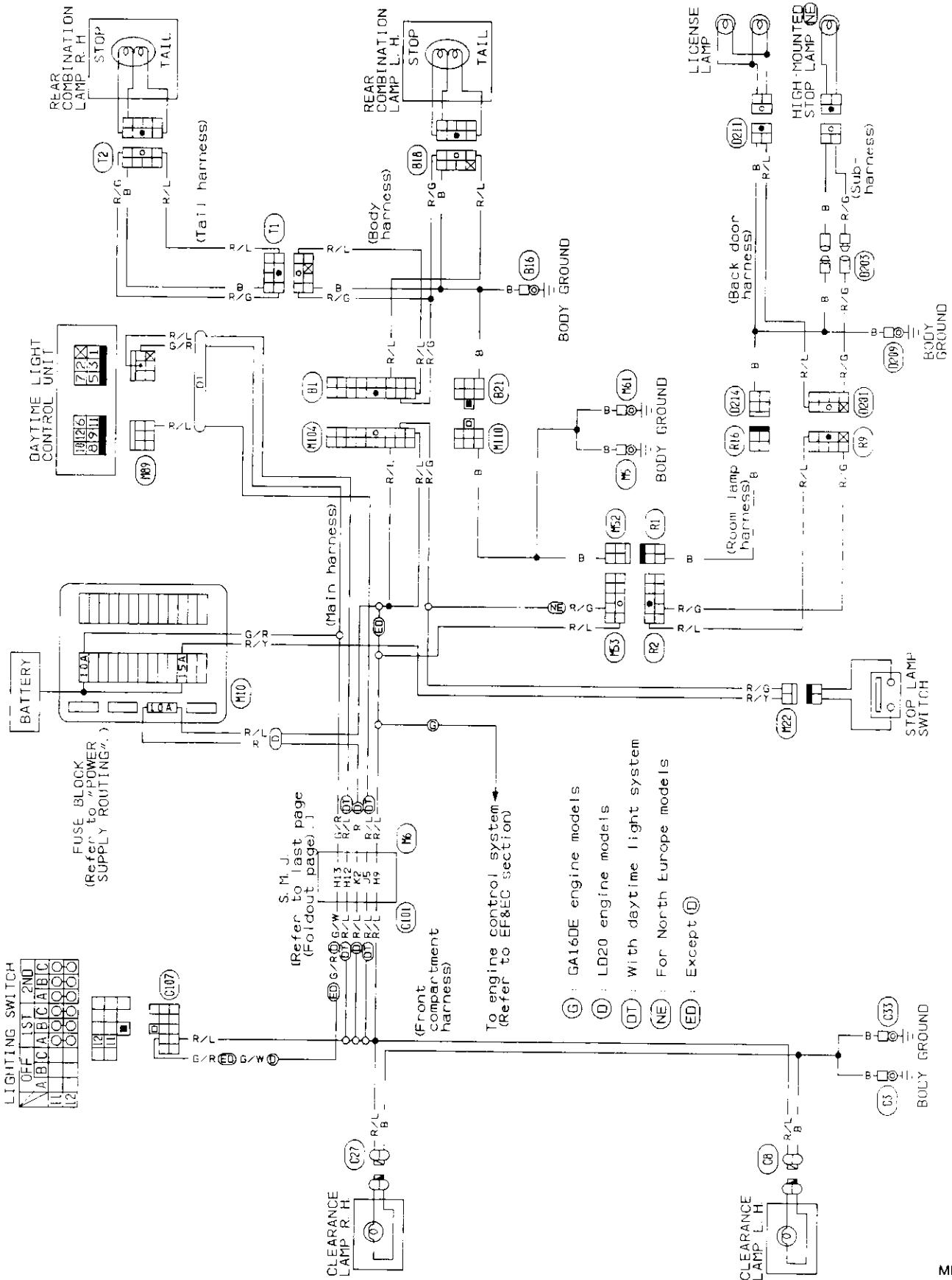


EXTERIOR LAMP

Clearance, License, Tail and Stop Lamps/Wiring Diagram

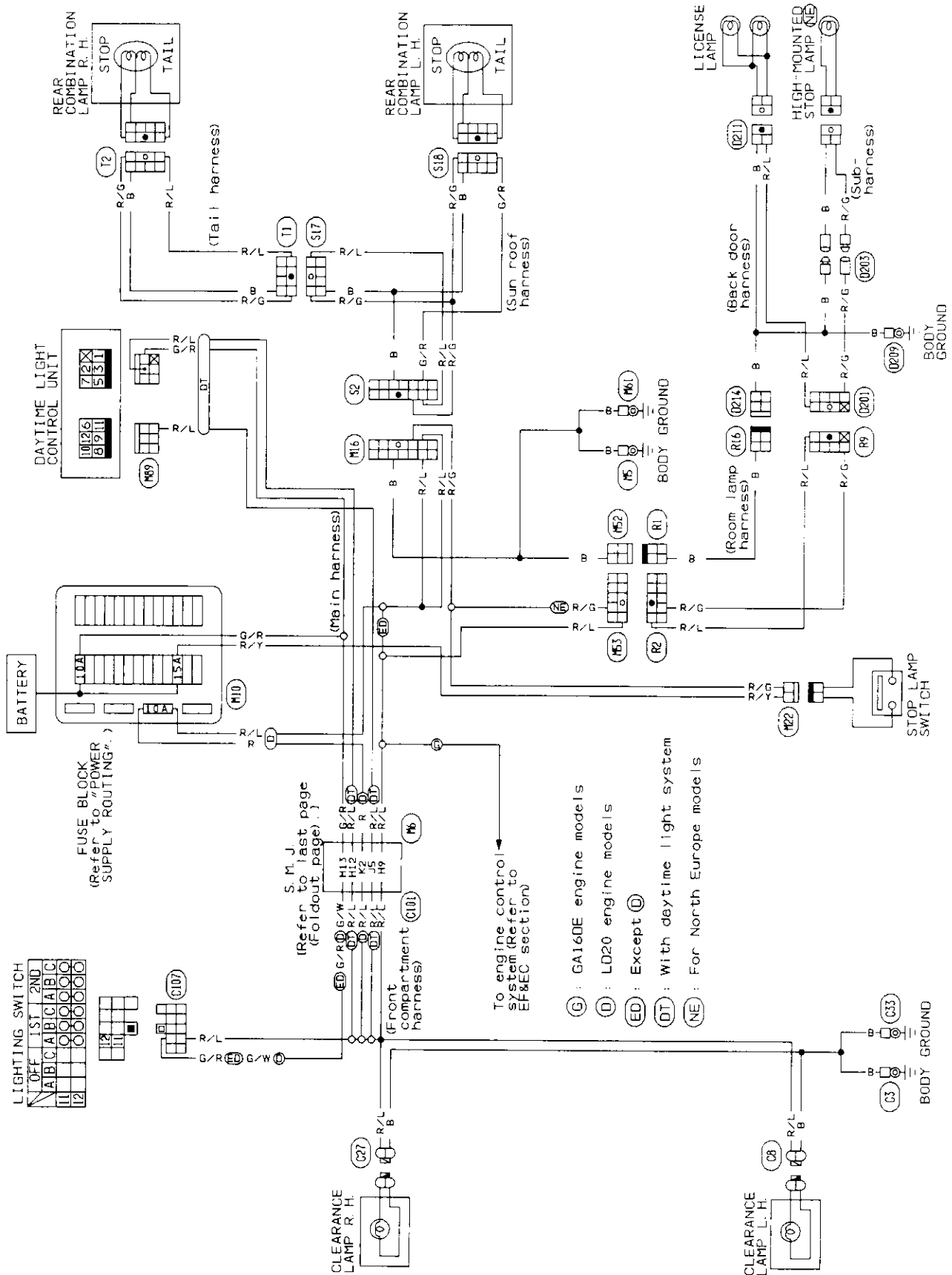
L.H.D. MODELS — EXCEPT CENTRAL EUROPE (4 door)



EXTERIOR LAMP

Clearance, License, Tail and Stop Lamps/Wiring Diagram (Cont'd)

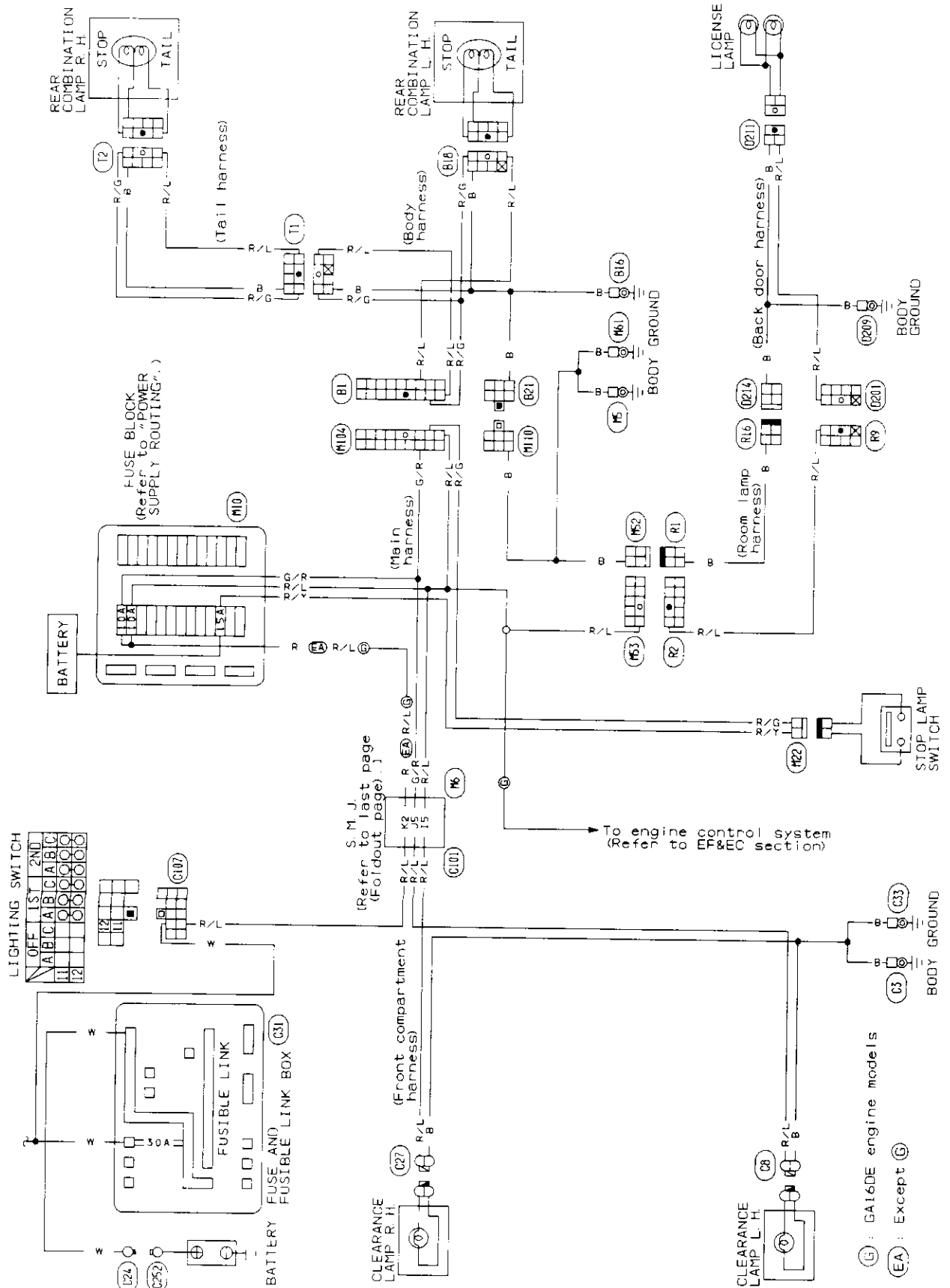
L.H.D. MODELS — EXCEPT CENTRAL EUROPE (5 door)



EXTERIOR LAMP

Clearance, License, Tail and Stop Lamps/Wiring Diagram (Cont'd)

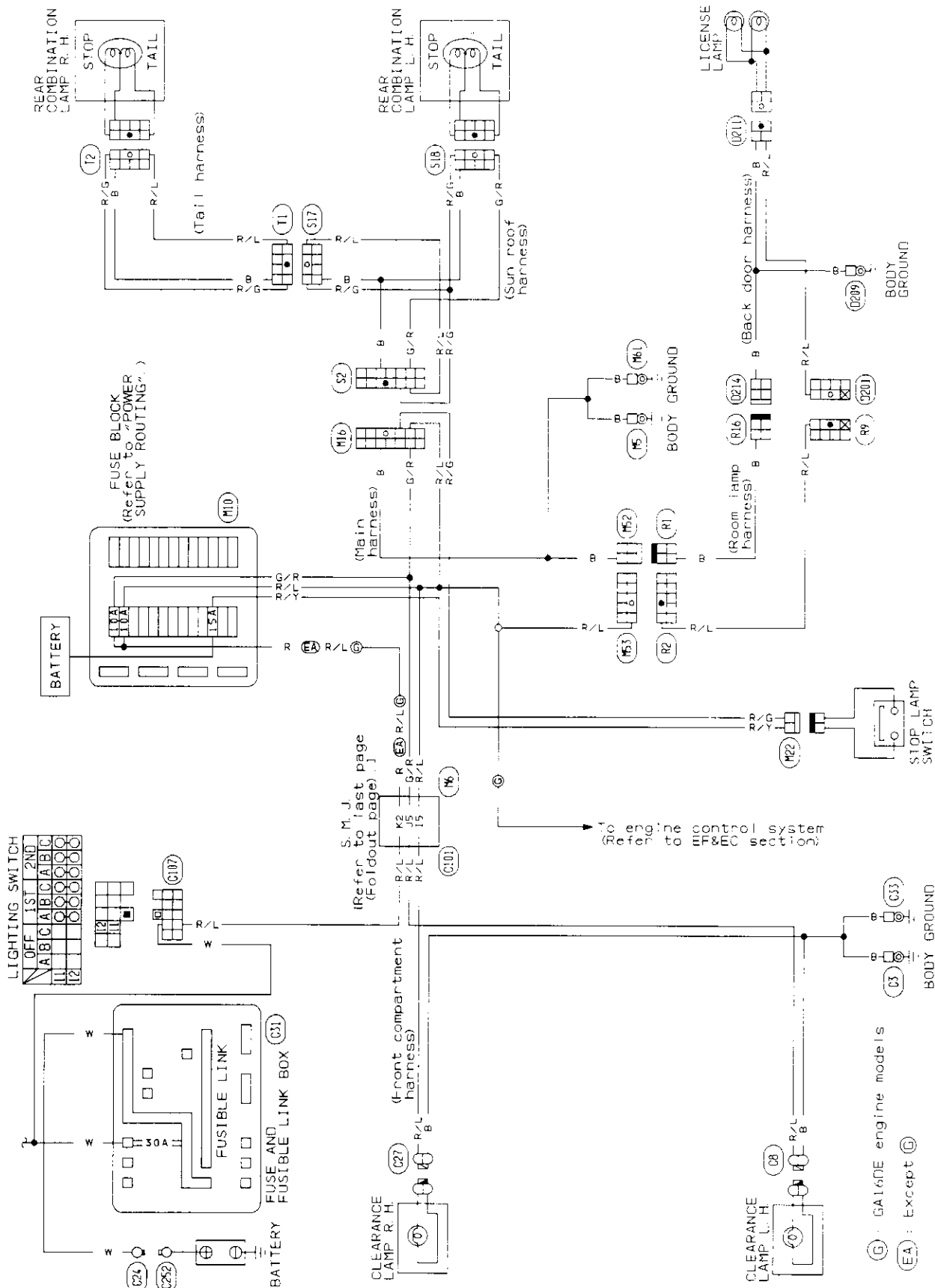
L.H.D. MODELS — CENTRAL EUROPE (4 door)



EXTERIOR LAMP

Clearance, License, Tail and Stop Lamps/Wiring Diagram (Cont'd)

L.H.D. MODELS — CENTRAL EUROPE (5 door)

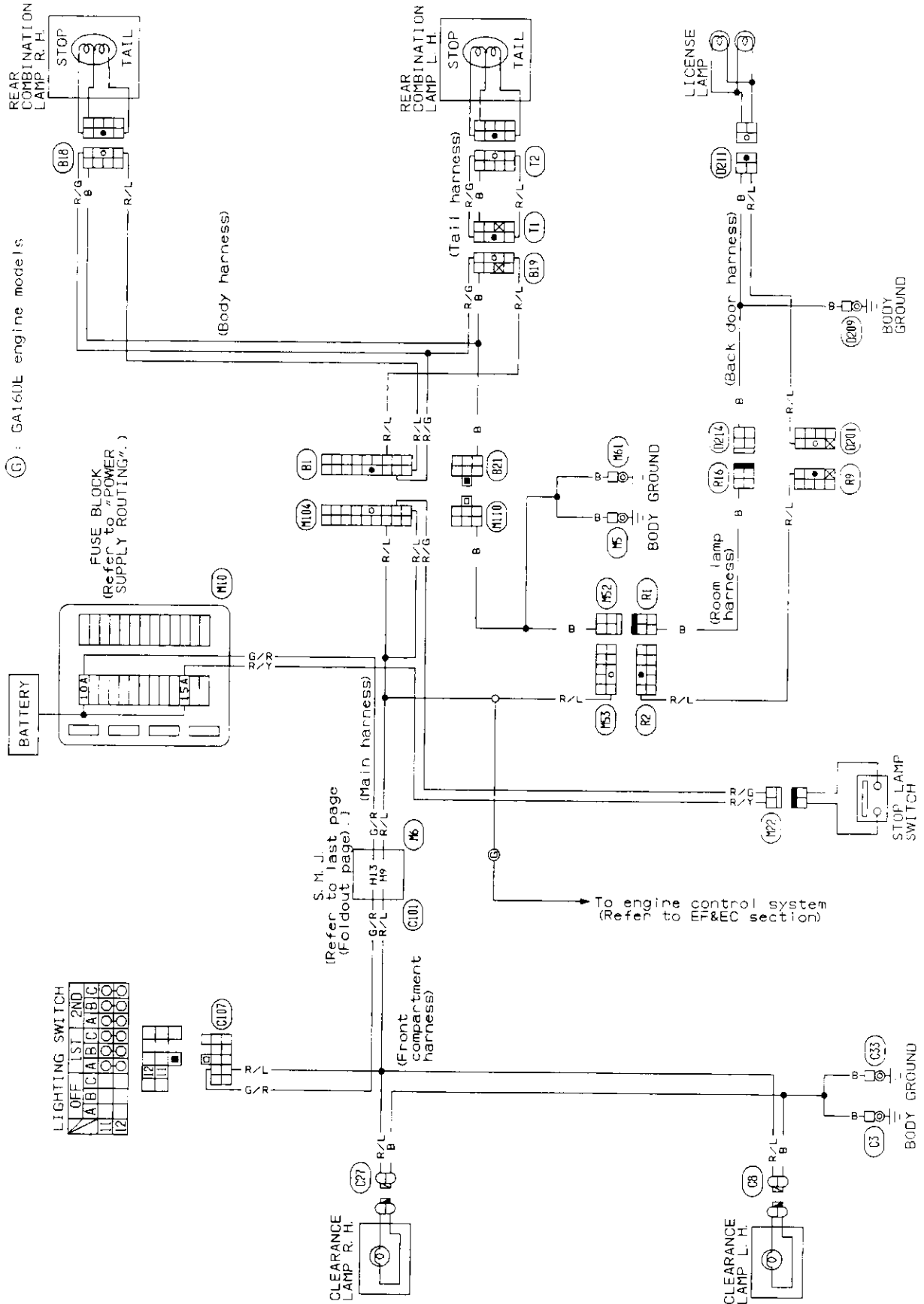


MEL683B

EXTERIOR LAMP

Clearance, License, Tail and Stop Lamps/Wiring Diagram (Cont'd)

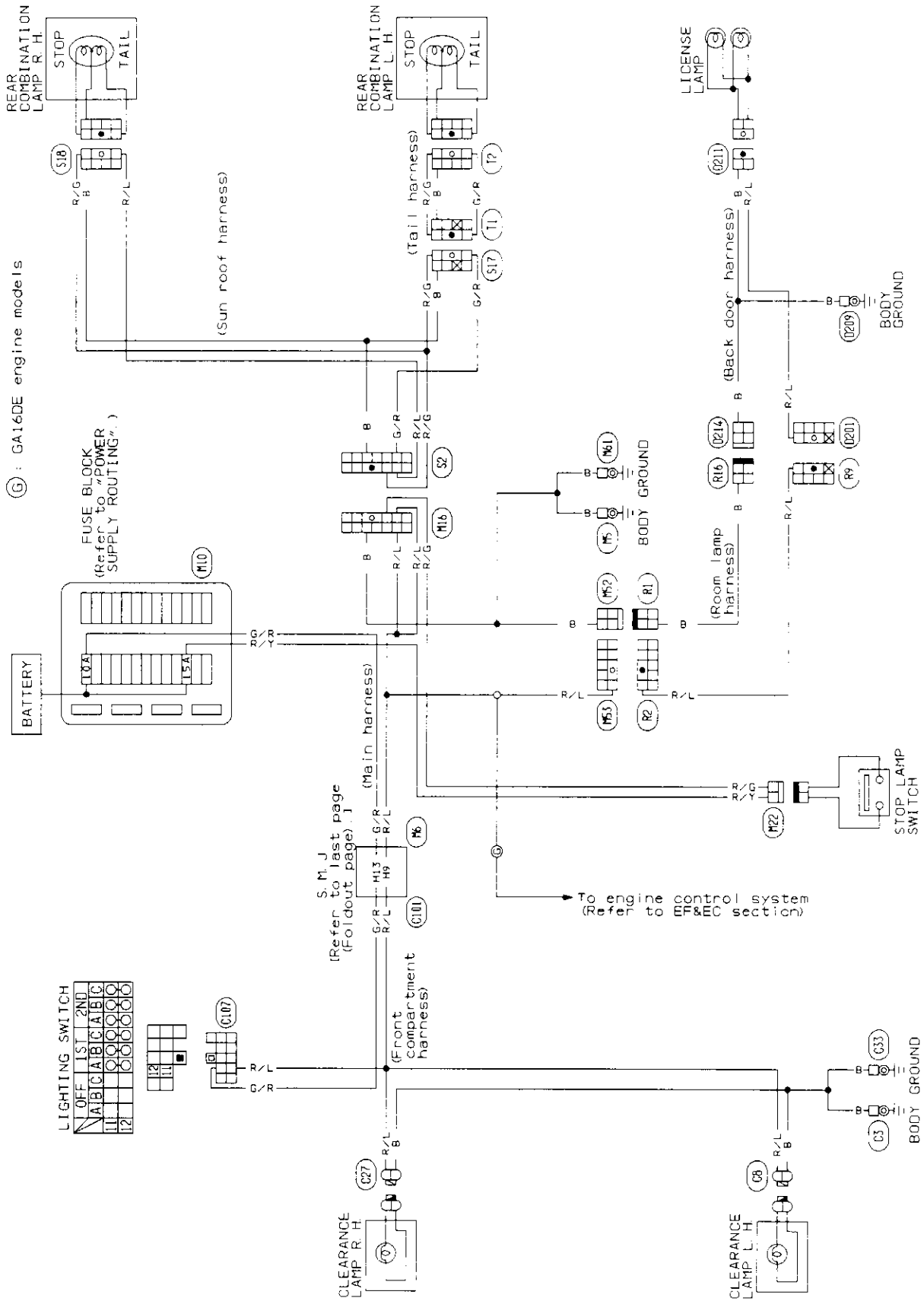
R.H.D. MODELS — (4 door)



EXTERIOR LAMP

Clearance, License, Tail and Stop Lamps/Wiring Diagram (Cont'd)

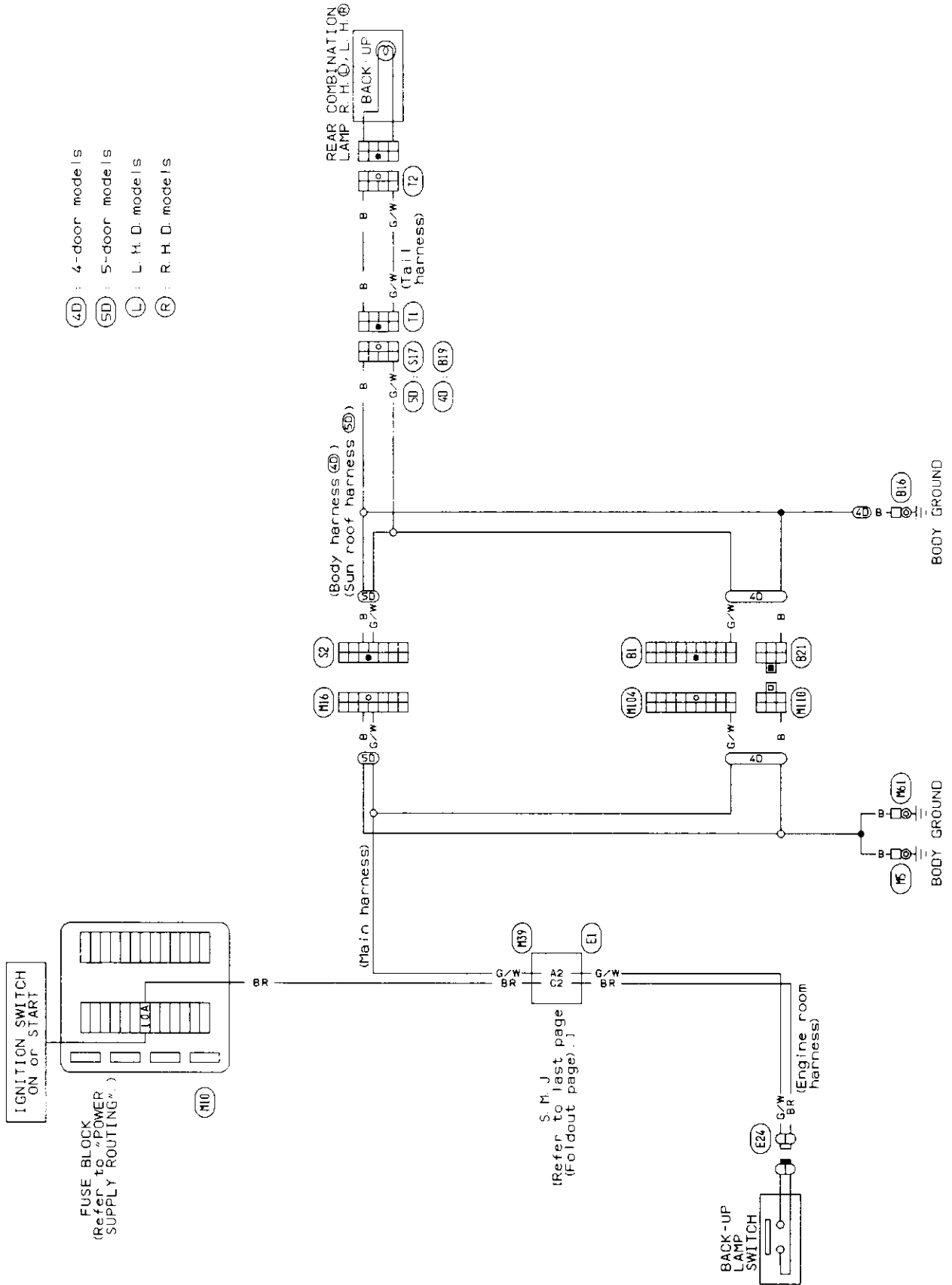
R.H.D. MODELS — (5 door)



MEL685B

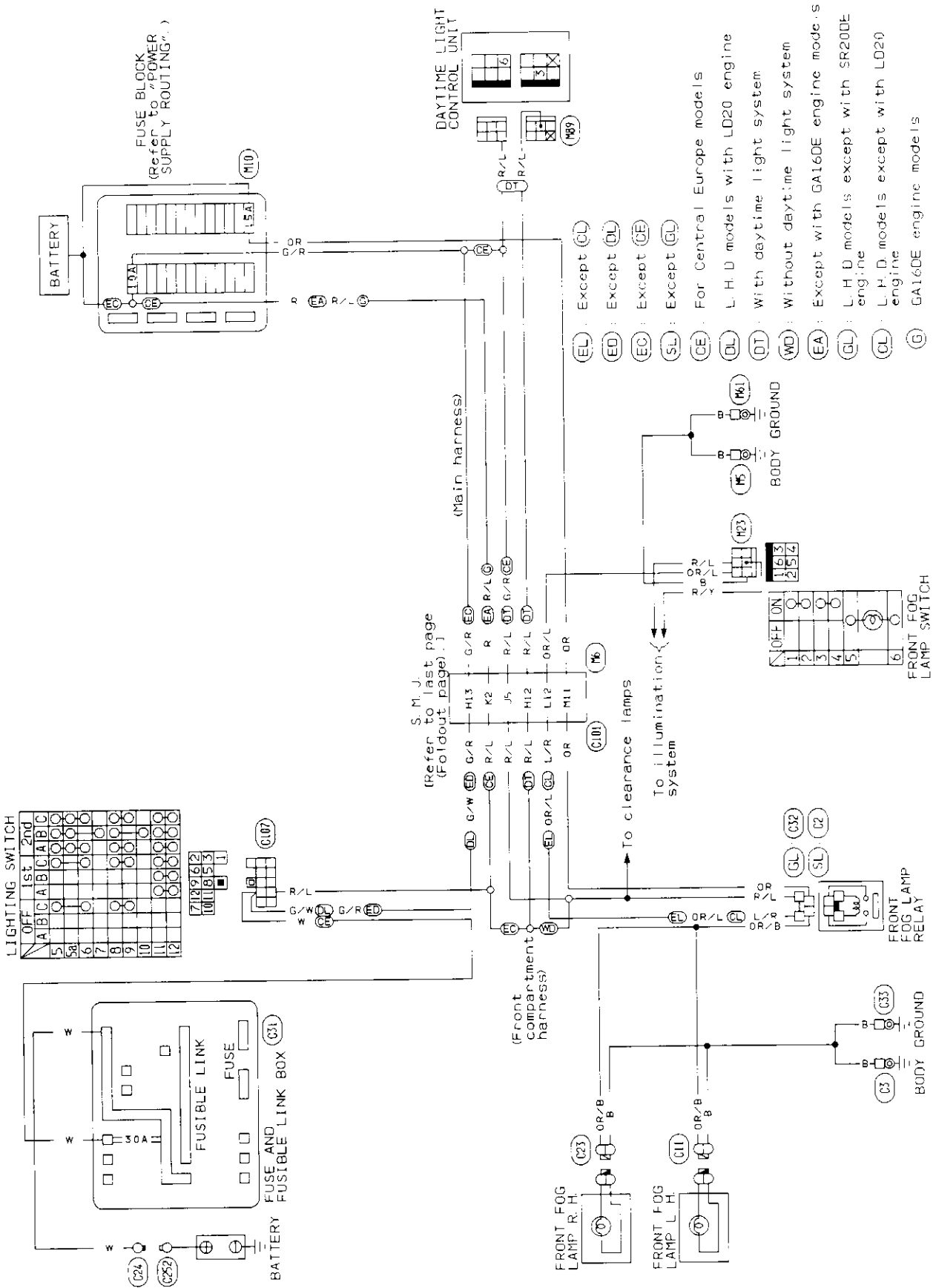
EXTERIOR LAMP

Back-up Lamp/Wiring Diagram



EXTERIOR LAMP

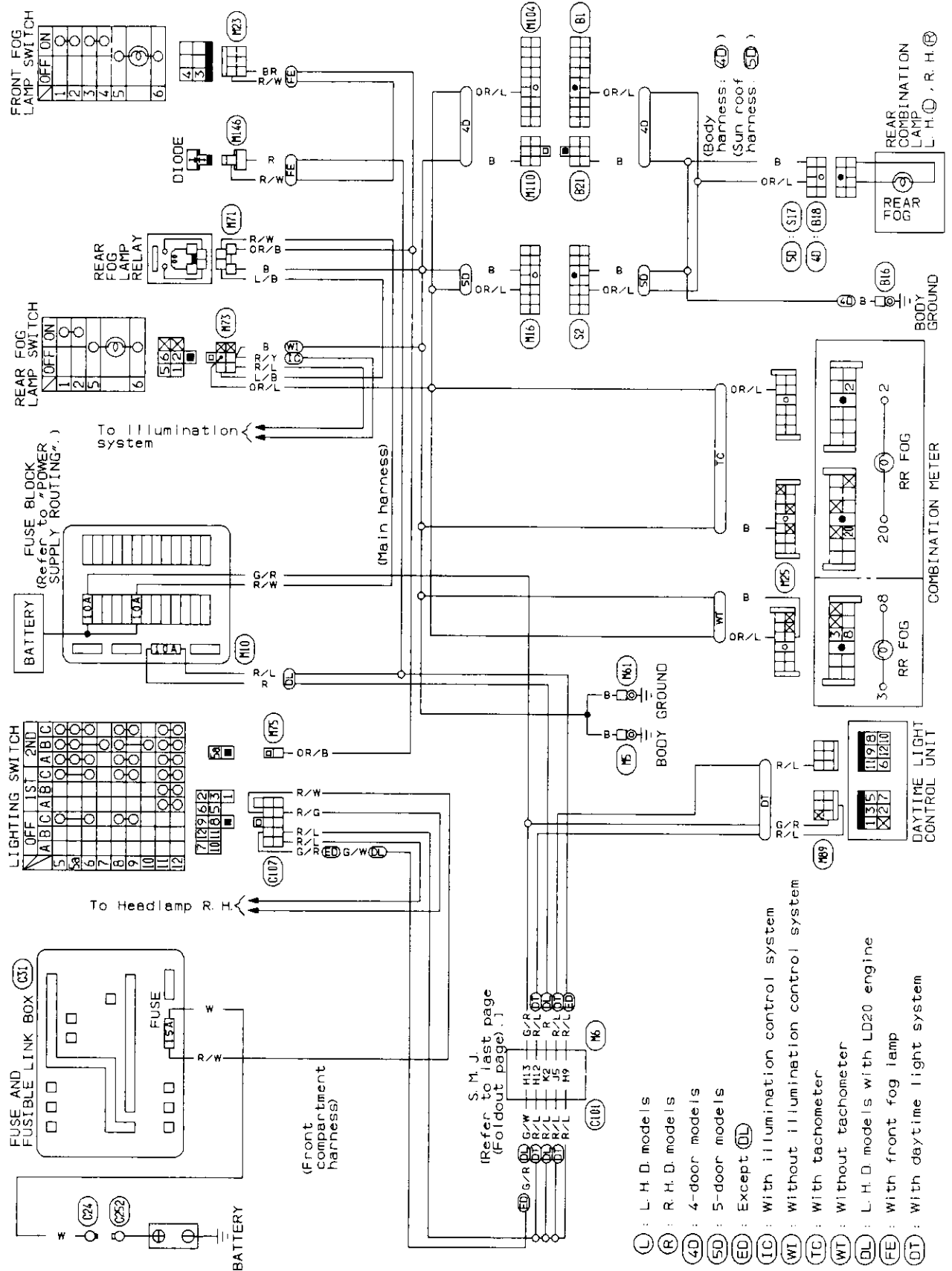
Front Fog Lamp/Wiring Diagram



EXTERIOR LAMP

Rear Fog Lamp/Wiring Diagram

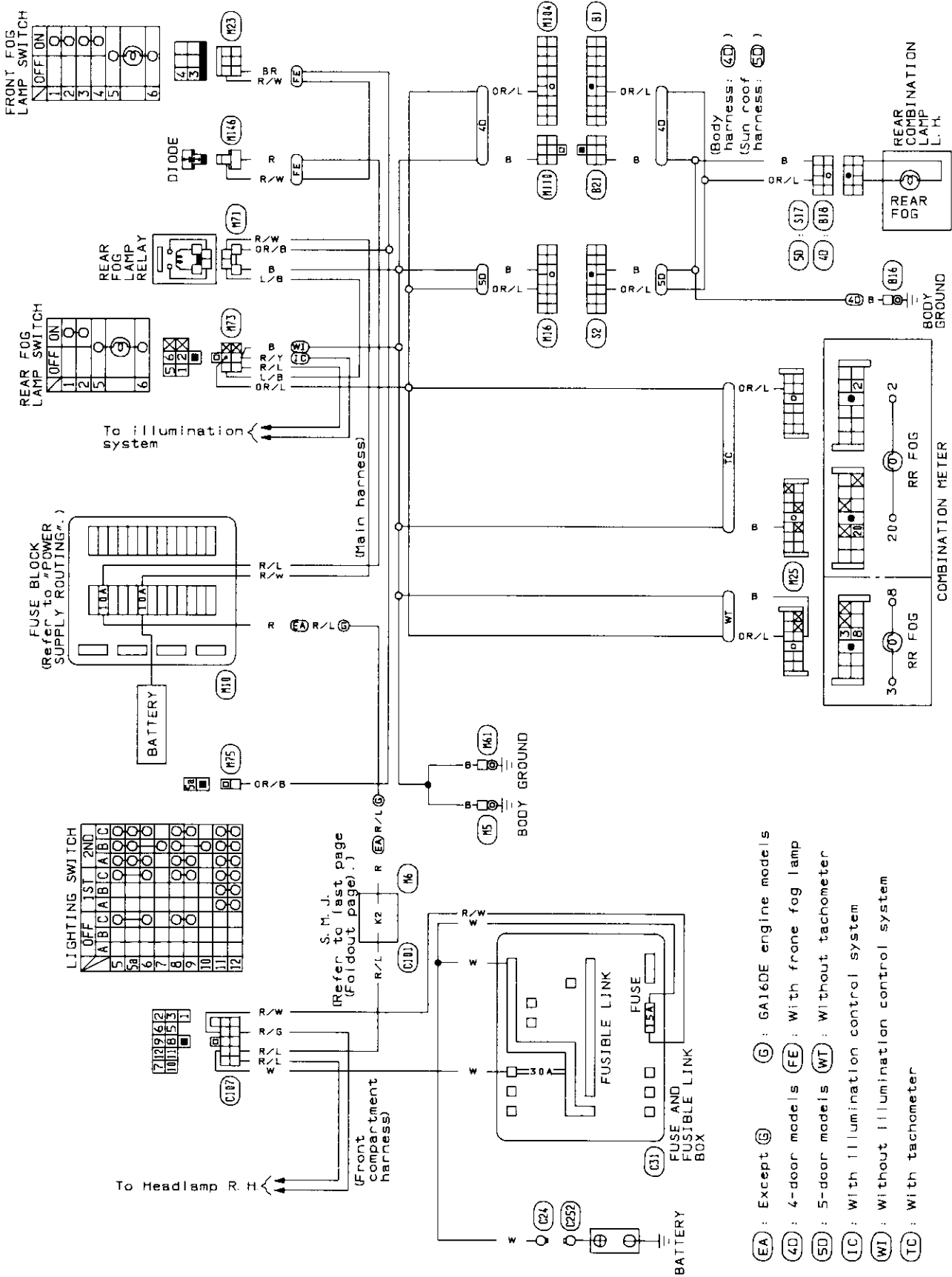
EXCEPT FOR CENTRAL EUROPE



EXTERIOR LAMP

Turn Signal and Hazard Warning Lamps/Wiring Diagram (Cont'd)

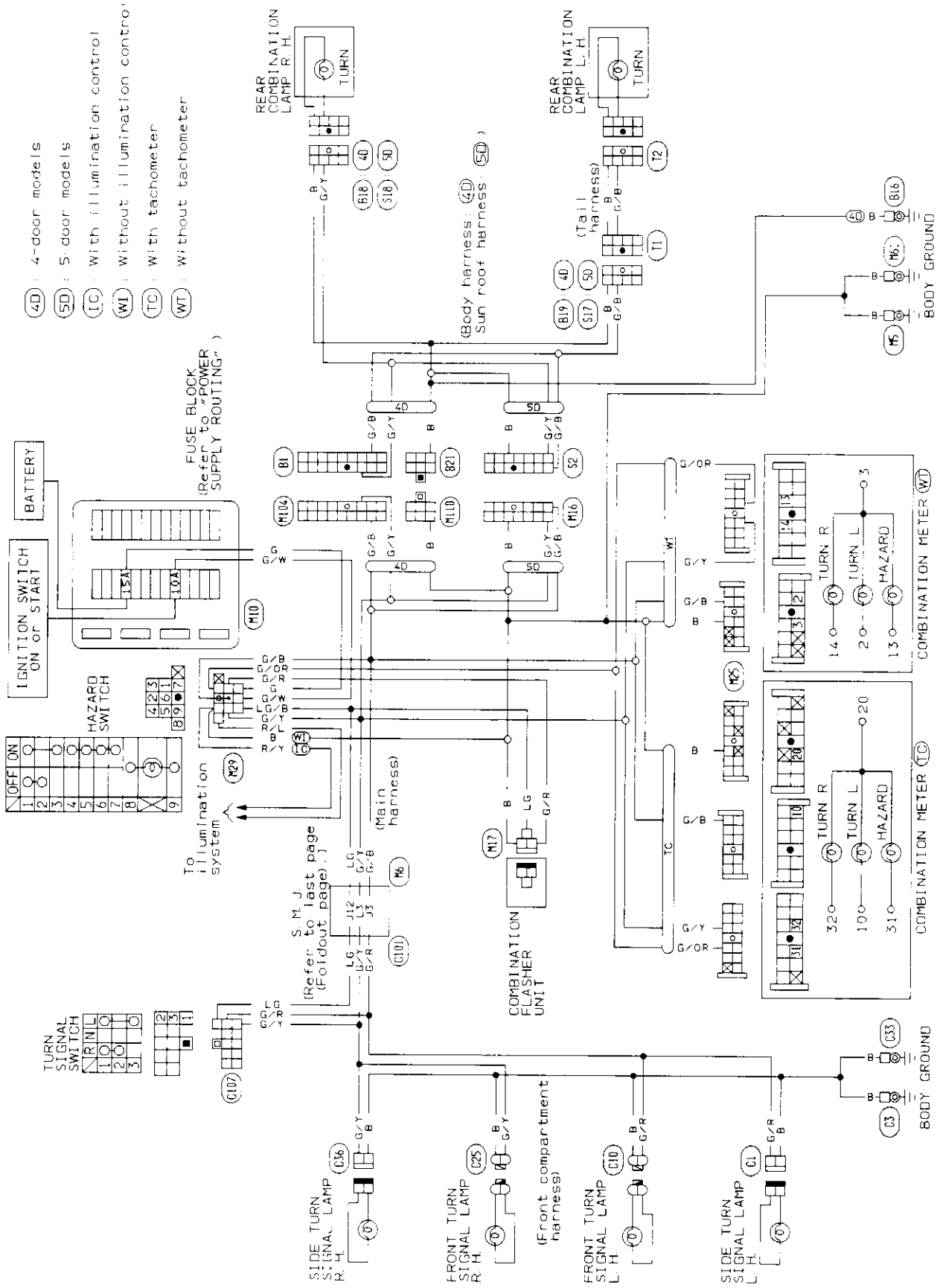
FOR CENTRAL EUROPE



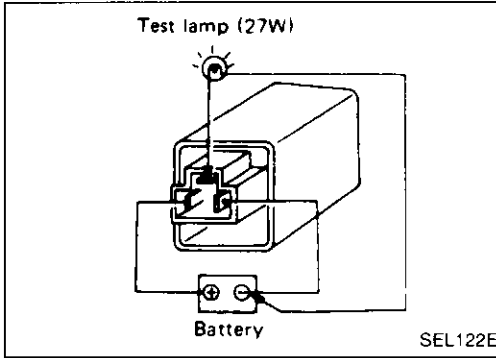
EXTERIOR LAMP

Turn Signal and Hazard Warning Lamps/Wiring Diagram (Cont'd)

R.H.D. MODELS

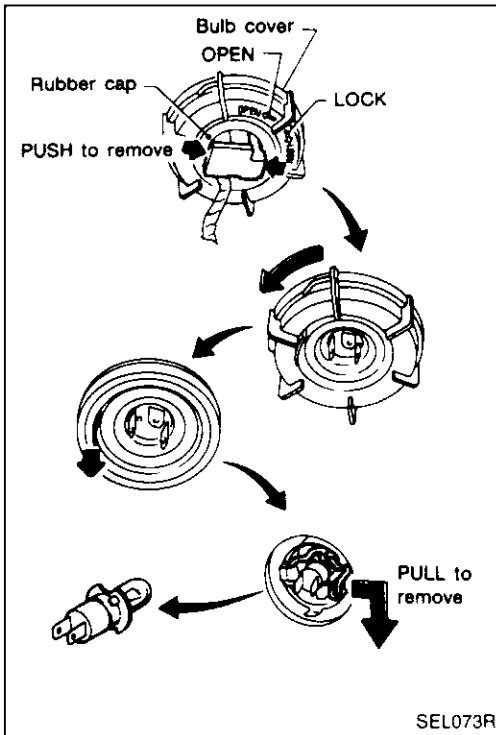


EXTERIOR LAMP



Combination Flasher Unit Check

- Before checking, ensure that bulbs meet specifications.
- Connect a battery and test lamp to the combination flasher unit, as shown. Combination flasher unit is properly functioning if it blinks when power is supplied to the circuit.



Bulb Replacement/Front Fog Lamp

The fog lamp is a semi-sealed beam type which uses a replaceable halogen bulb. The bulb can be replaced from the front compartment side without removing the fog lamp body.

- **Grasp only the plastic base when handling the bulb. Never touch the glass envelope.**
1. Disconnect the battery cable.
 2. Disconnect the harness connector from the back side of the bulb.
 3. Turn the bulb retaining ring counterclockwise until it is free from the fog lamp reflector, and then remove it.
 4. Pull off the rubber cap.
 5. Remove the fog lamp bulb carefully. Do not shake or rotate the bulb when removing it.
 6. Install in the reverse order of removal.

CAUTION:

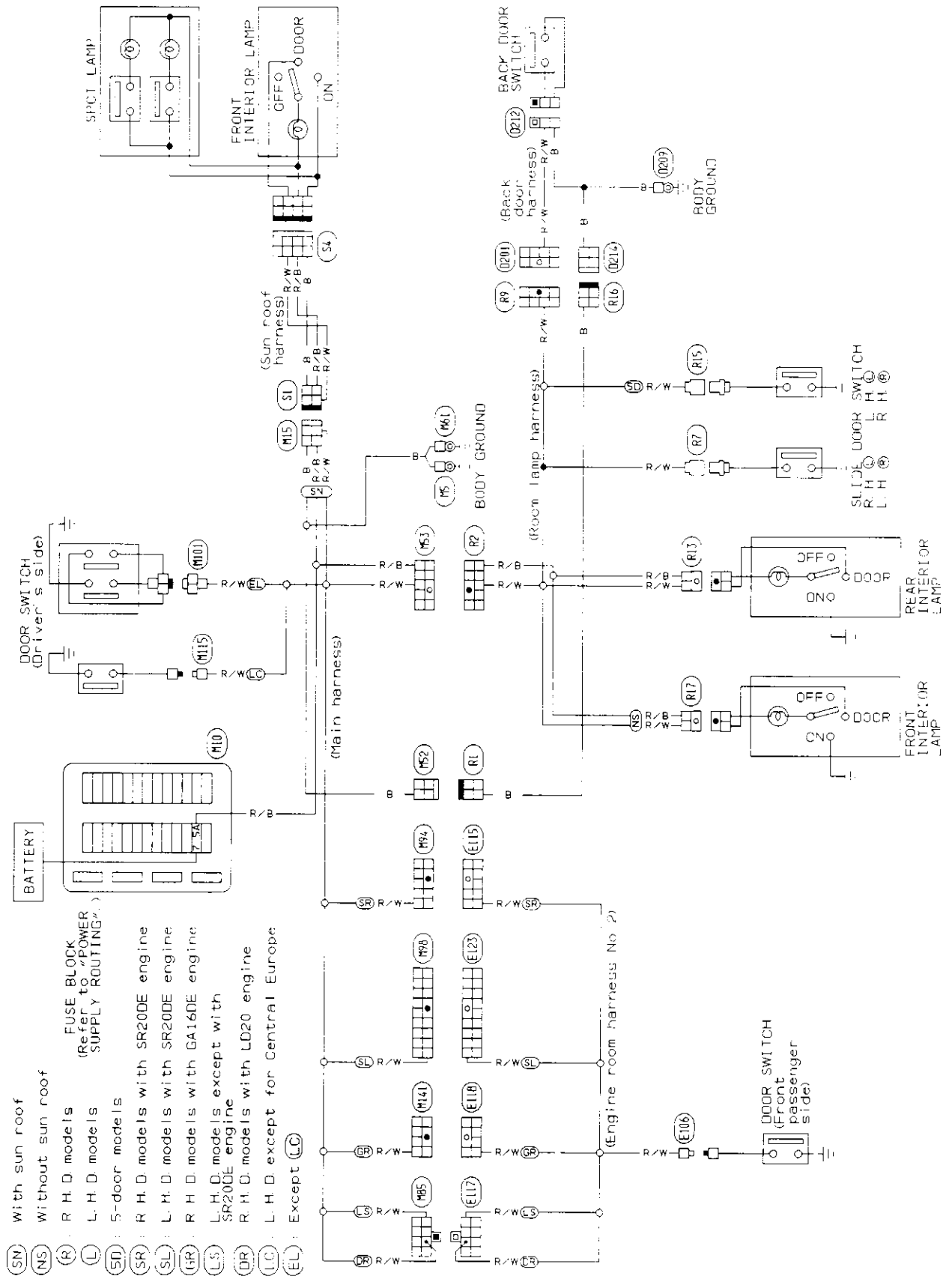
- **Do not leave the bulb out of the fog lamp reflector for a long period of time as dust, moisture, smoke, etc. may enter the fog lamp body and affect the performance of the fog lamp. Thus, the fog lamp bulb should not be removed from the fog lamp reflector until just before a replacement bulb is to be installed.**

Bulb Specifications

	Wattage (12 volt)
Headlamp (Semi-sealed beam)	
High/Low	60/55
Front fog lamp	55
Front turn signal lamp	21
Front combination lamp	
Clearance	5
Side turn signal lamp	5
Rear combination lamp	
Turn signal	21
Stop/Tail	21/5
Back-up	21
License plate lamp	5
Interior lamp	10
Spot lamp	10

INTERIOR LAMP

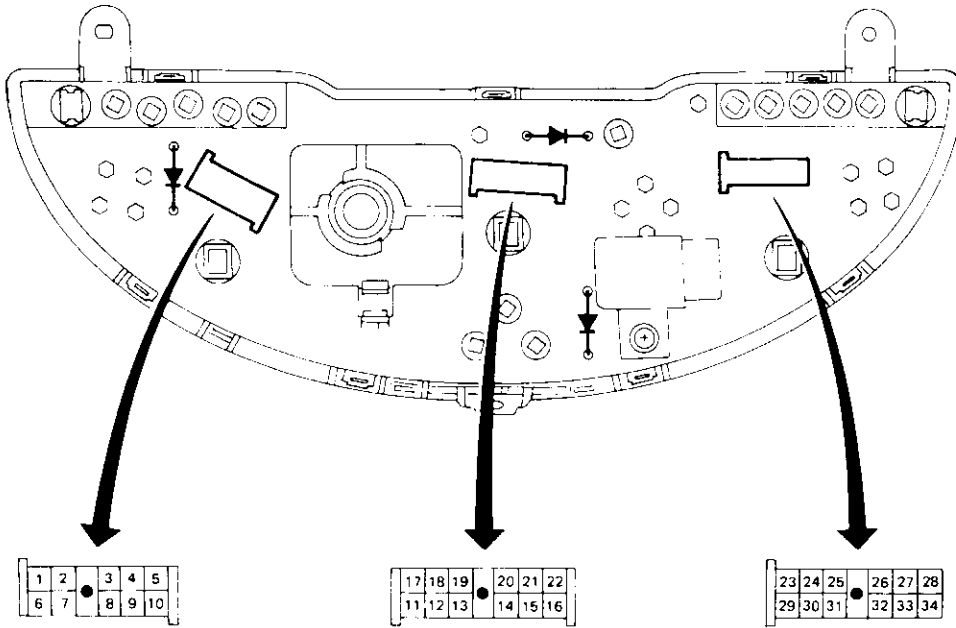
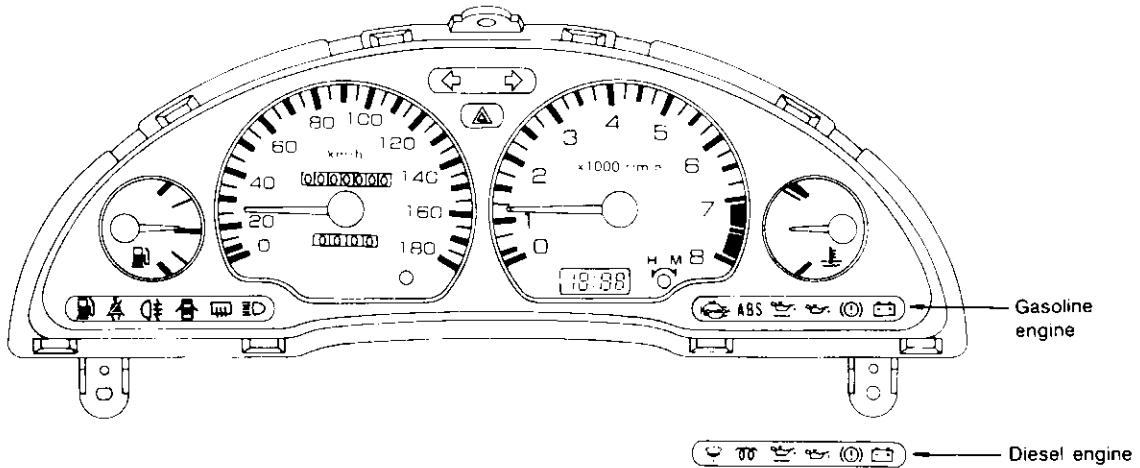
Interior and Spot Lamps/Wiring Diagram



METER AND GAUGES

Combination Meter

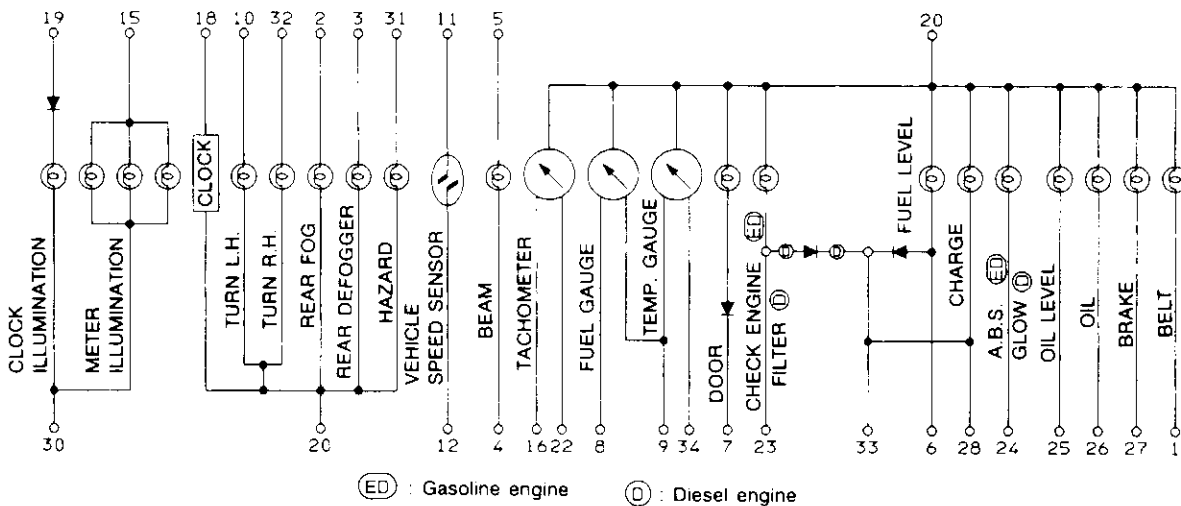
WITH TACHOMETER



1	2	3	4	5
6	7	8	9	10

17	18	19	20	21	22
11	12	13	14	15	16

23	24	25	26	27	28
29	30	31	32	33	34



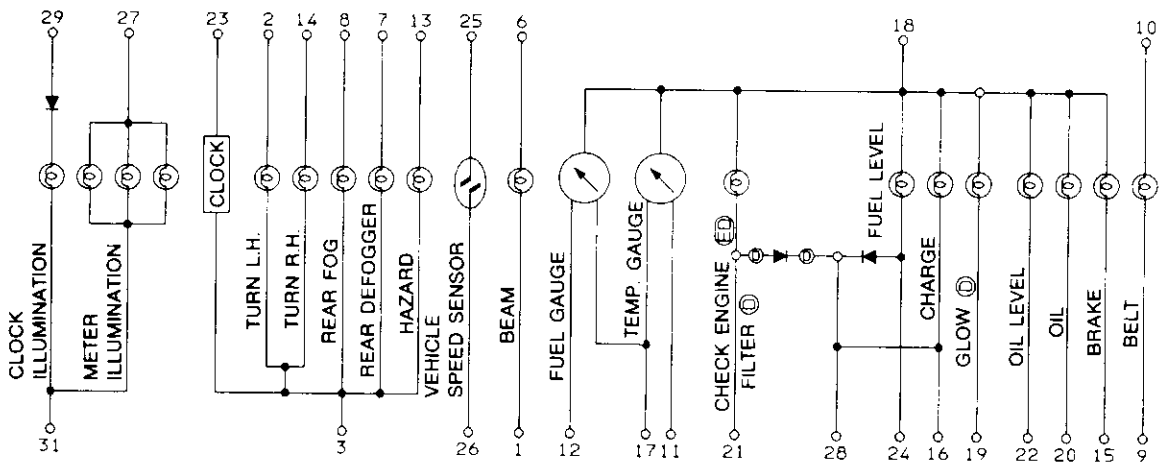
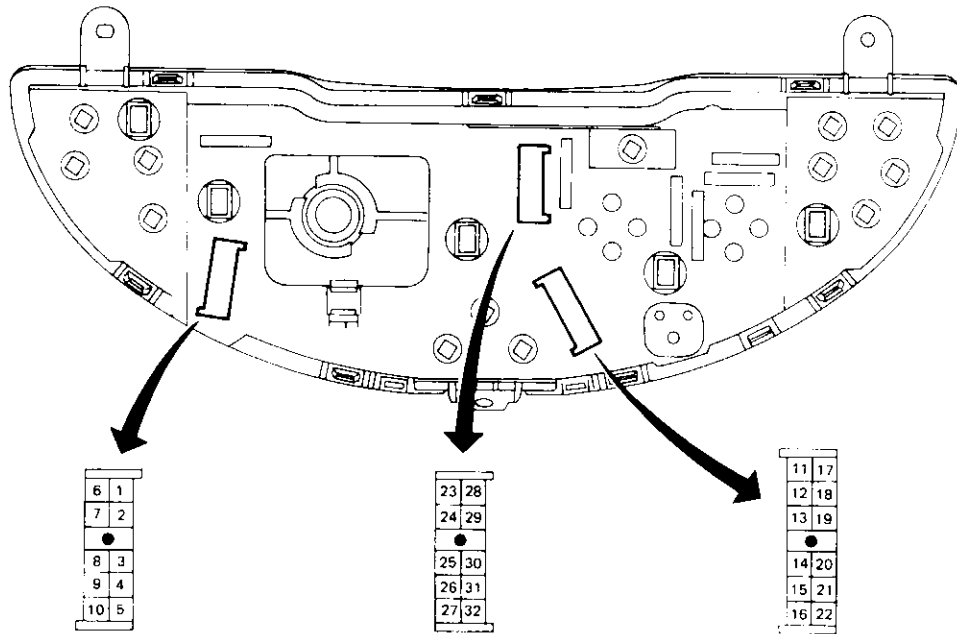
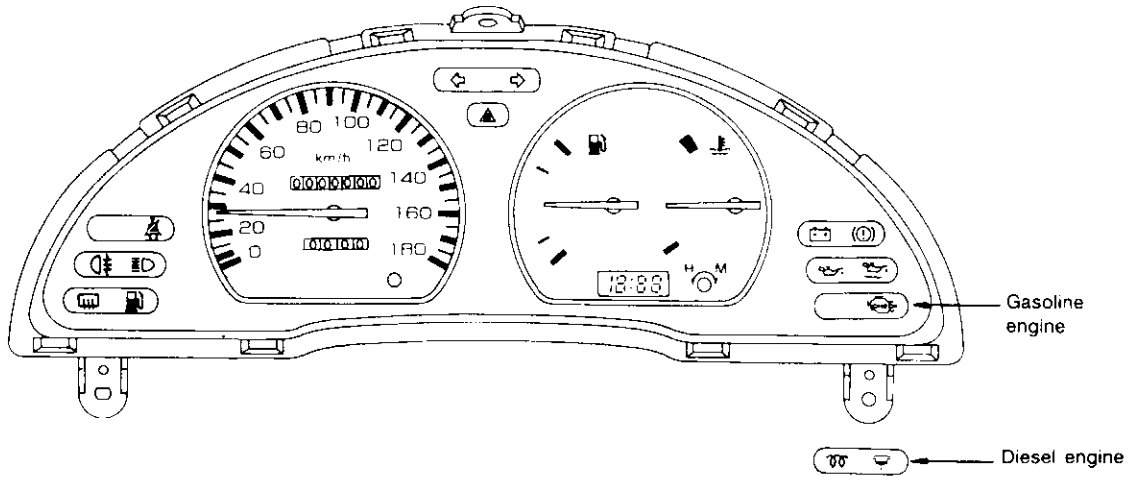
(ED) : Gasoline engine (D) : Diesel engine

MEL639B

METER AND GAUGES

Combination Meter (Cont'd)

WITHOUT TACHOMETER

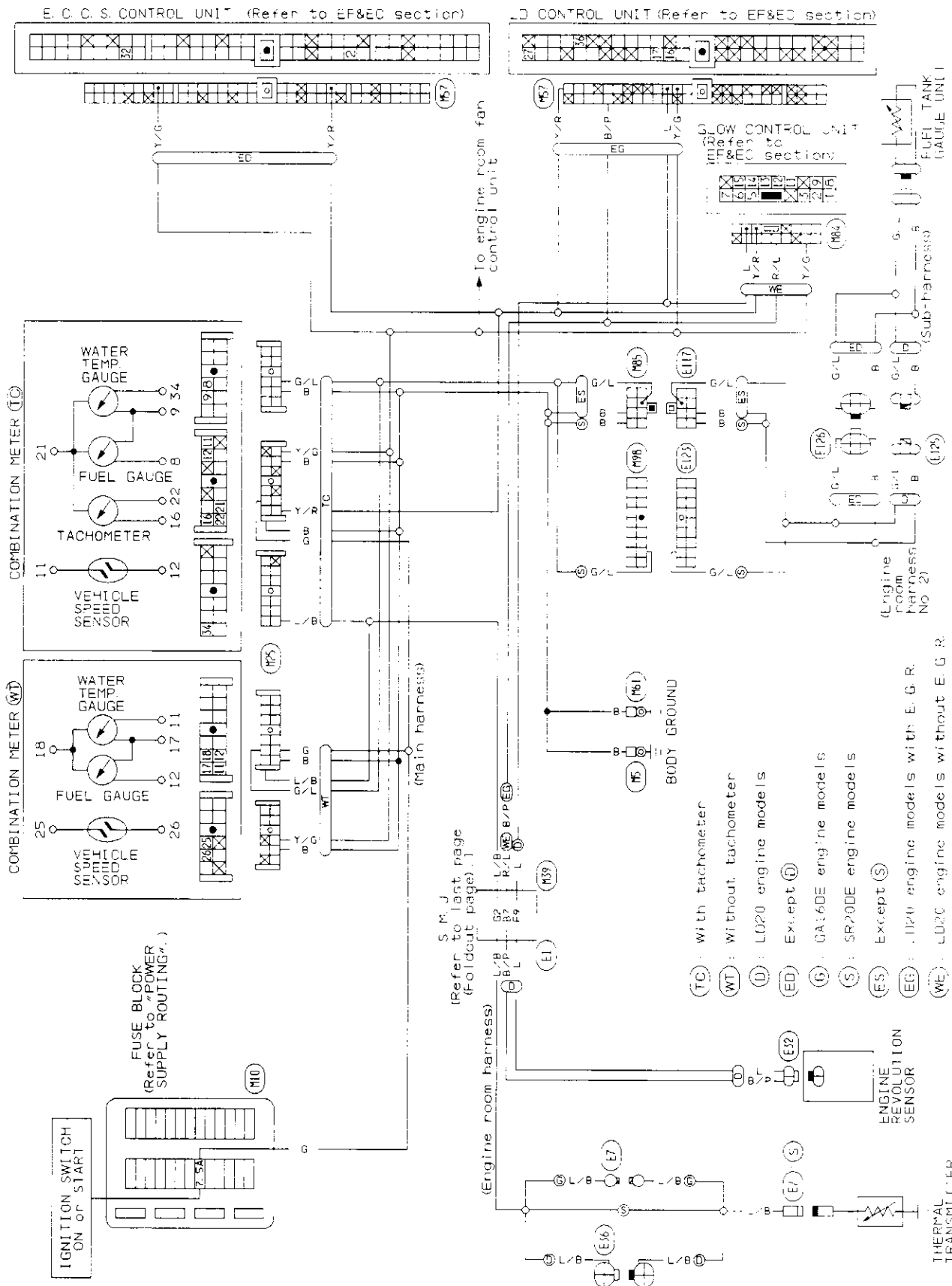


Ⓜ : Gasoline engine Ⓜ : Diesel engine

METER AND GAUGES

Wiring Diagram

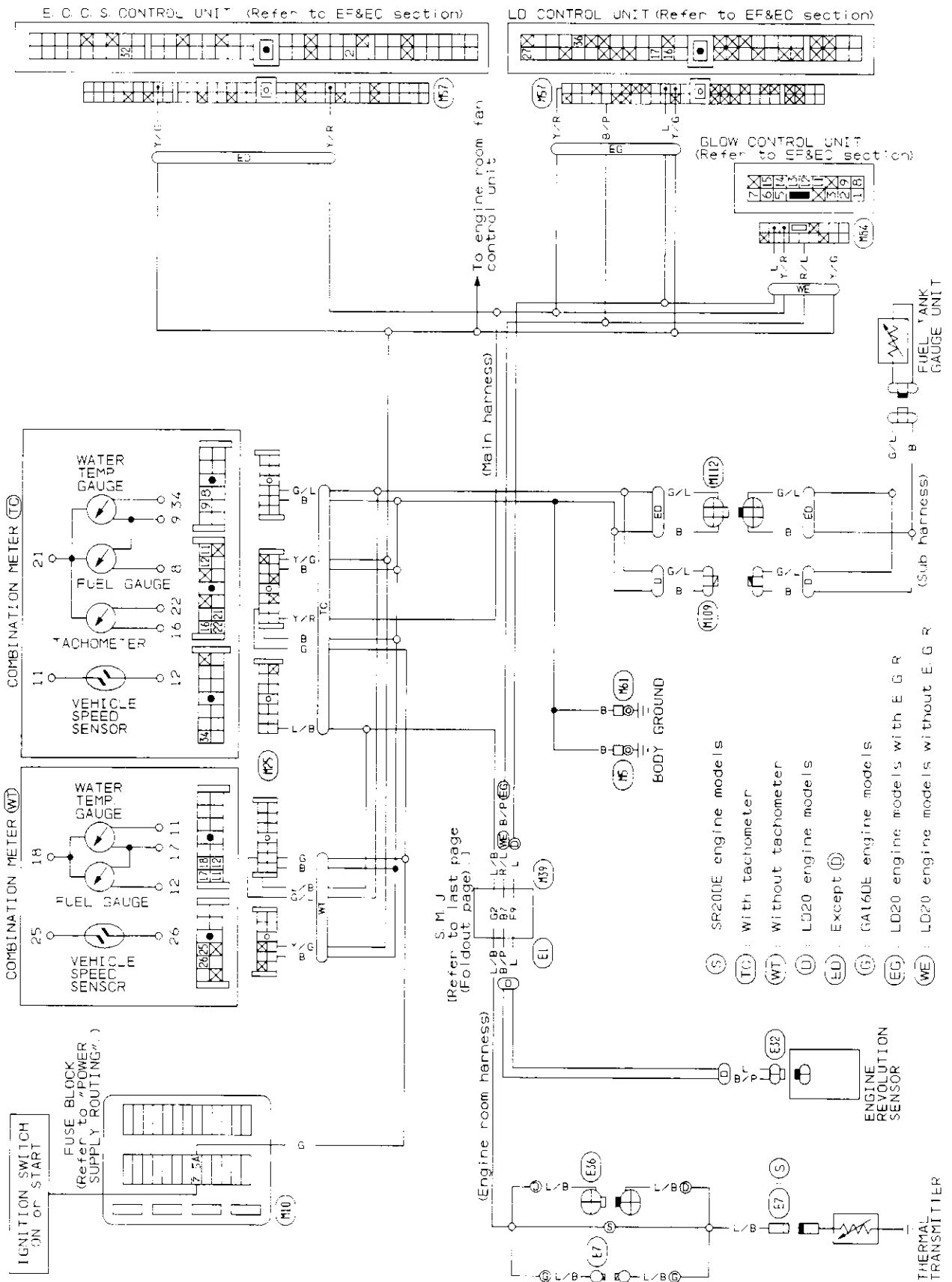
L.H.D. MODELS



METER AND GAUGES

Wiring Diagram (Cont'd)

R.H.D. MODELS

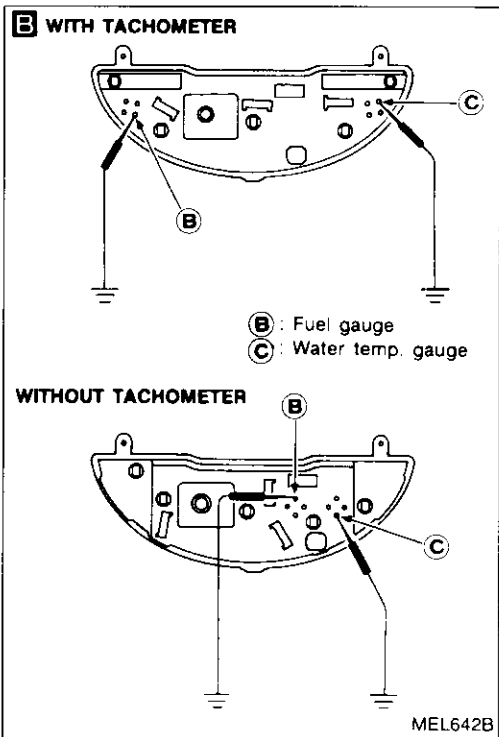
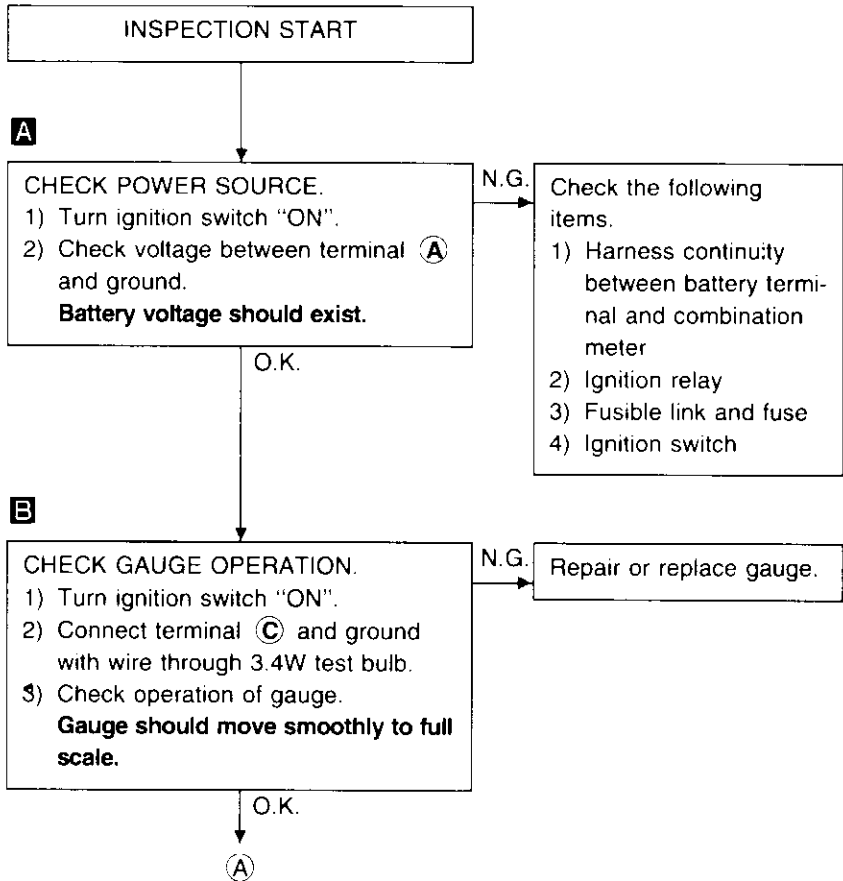
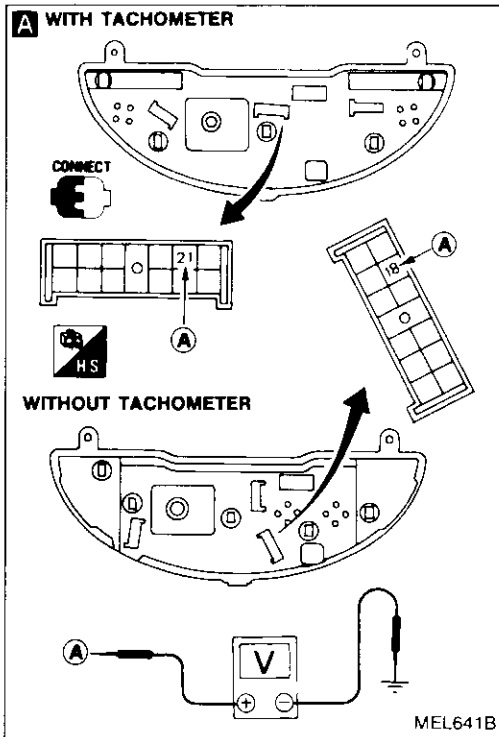


- (S) SR200E engine models
- (TC) : With tachometer
- (WT) : Without tachometer
- (U) : LD20 engine models
- (EU) : Except (U)
- (G) : GA16DE engine models
- (EG) : LD20 engine models with E G R
- (WE) : LD20 engine models without E G R

S. M. J
(Refer to last page
(Foldout page).)

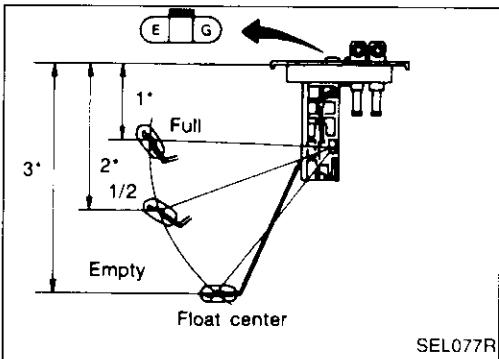
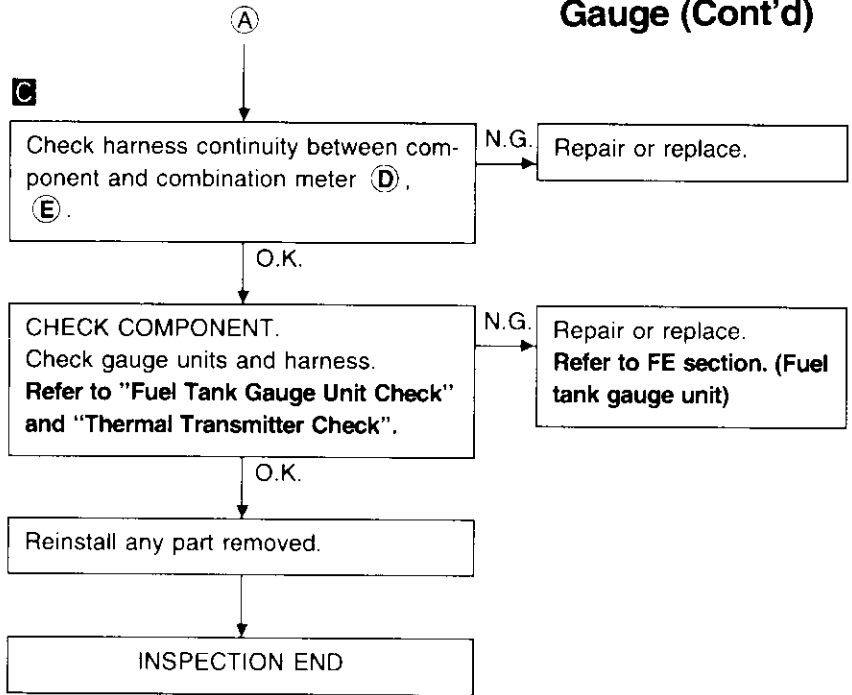
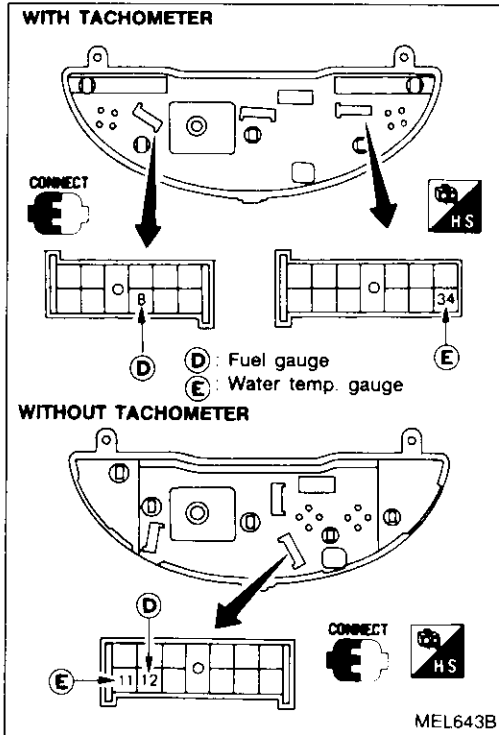
METER AND GAUGES

Inspection/Fuel Gauge and Water Temperature Gauge



METER AND GAUGES

Inspection/Fuel Gauge and Water Temperature Gauge (Cont'd)

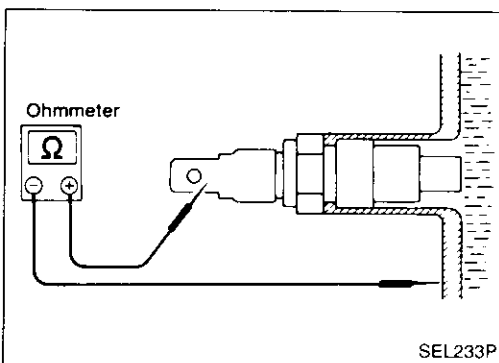


Fuel Tank Gauge Unit Check

- For removal, refer to FE section. Check the resistance between terminals (G) and (E).

Ohmmeter		Float position mm (in)			Resistance value (Ω)
(+)	(-)				
G	E	*3	Full	76 (2.99)	Approx. 4 - 6
		*2	1/2	157 (6.18)	
		*1	Empty	233 (9.17)	

*1 and *3: When float rod is in contact with stopper.

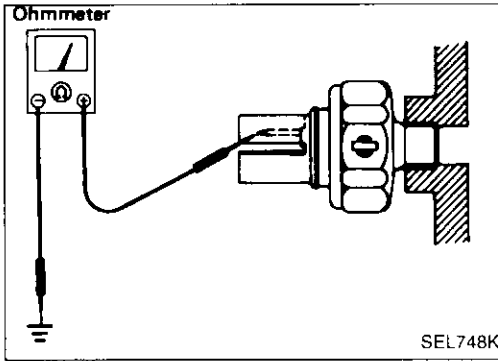


Thermal Transmitter Check

Check the resistance between the terminals of thermal transmitter and body ground.

Water temperature	Resistance
60°C (140°F)	Approx. 70 - 90Ω
100°C (212°F)	Approx. 21 - 24Ω

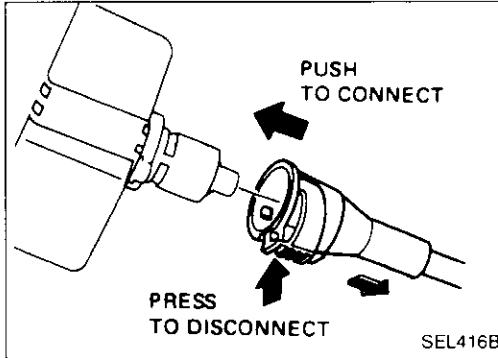
METER AND GAUGES



Oil Pressure Switch Check

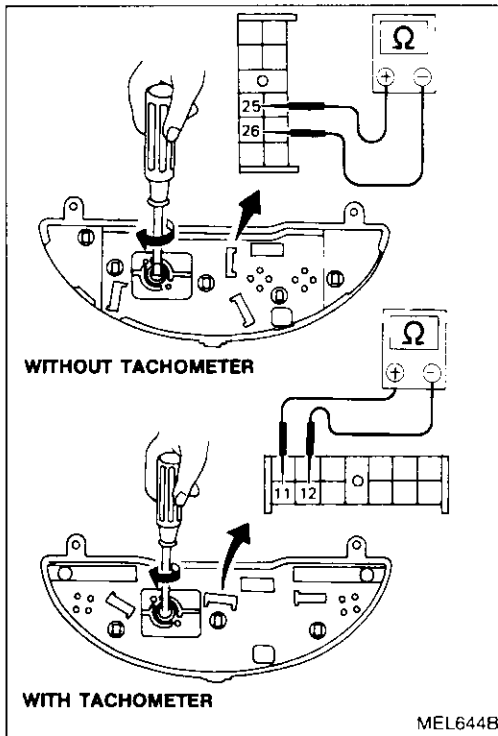
Check the continuity between the terminals of oil pressure switch and body ground.

	Oil pressure kPa (bar, kg/cm ² , psi)	Continuity
Engine start	More than 10 - 20 (0.10 - 0.20, 0.1 - 0.2, 1.4 - 2.8)	NO
Engine stop	Less than 10 - 20 (0.10 - 0.20, 0.1 - 0.2, 1.4 - 2.8)	YES



Speedometer Cable Removal and Installation

After disconnecting speedometer cable end from transaxle, push speedometer cable so that combination meter is pushed into passenger compartment. Disconnect speedometer cable end from combination meter as shown in the figure at left.



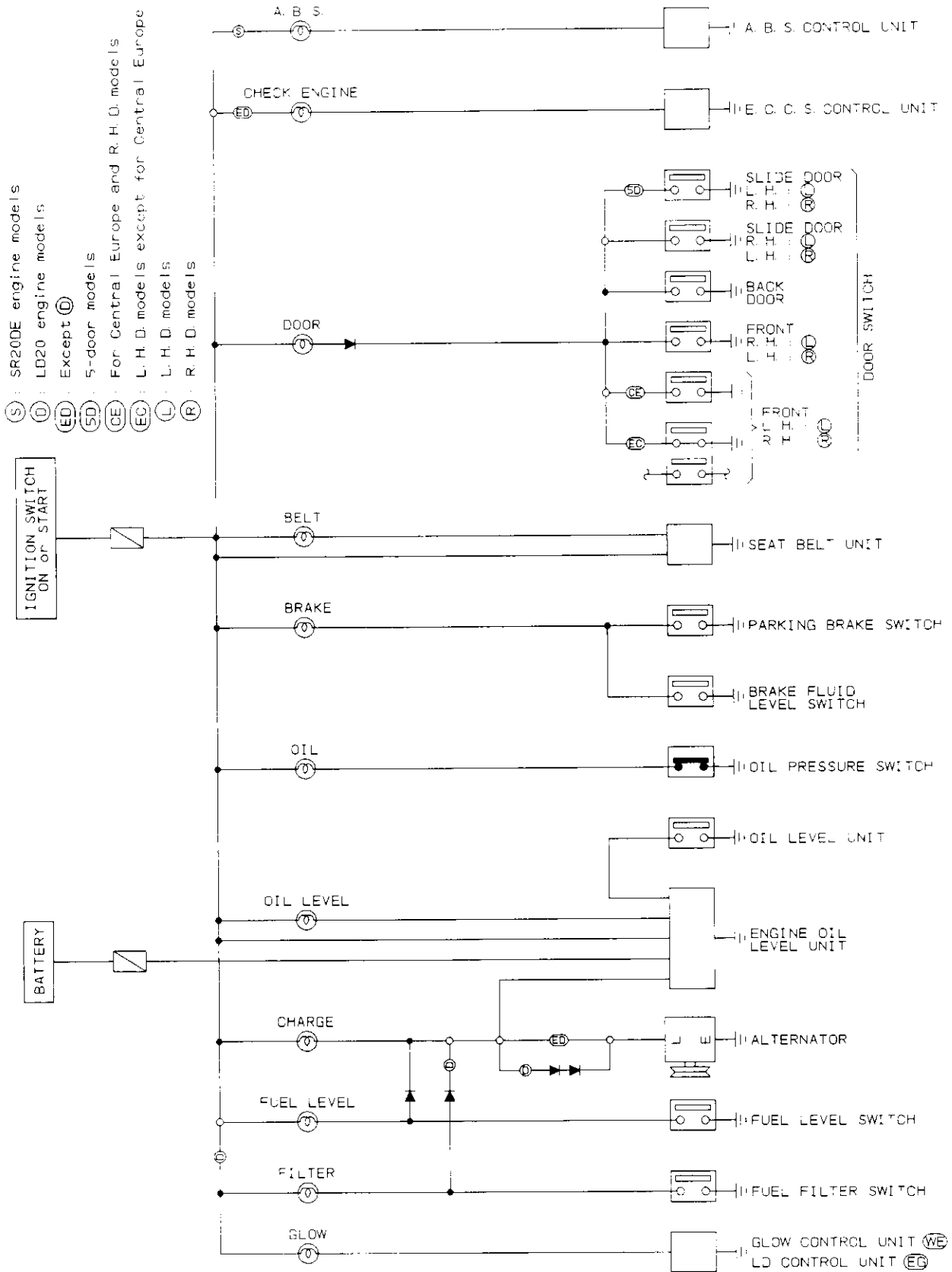
Speed Sensor Signal Check

- A speed sensor is built into the speedometer.
1. Turn speedometer slowly using a small screwdriver.
 2. Check continuity of speed sensor circuit.

Continuity exists two times for each turn ... O.K.

WARNING LAMPS AND BUZZER

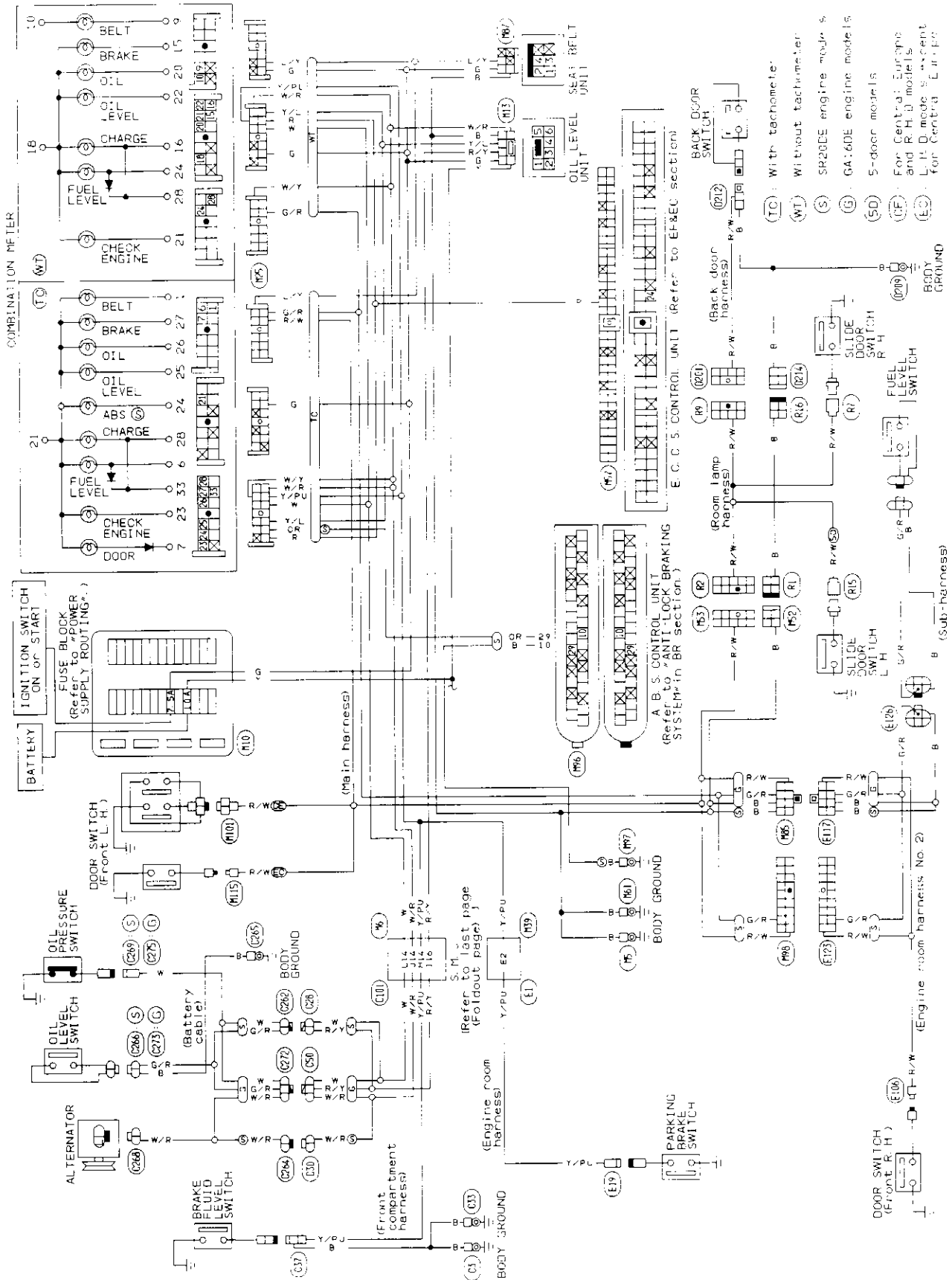
Warning Lamps/Schematic



WARNING LAMPS AND BUZZER

Warning Lamps/Wiring Diagram

L.H.D. MODELS — Gasoline engine

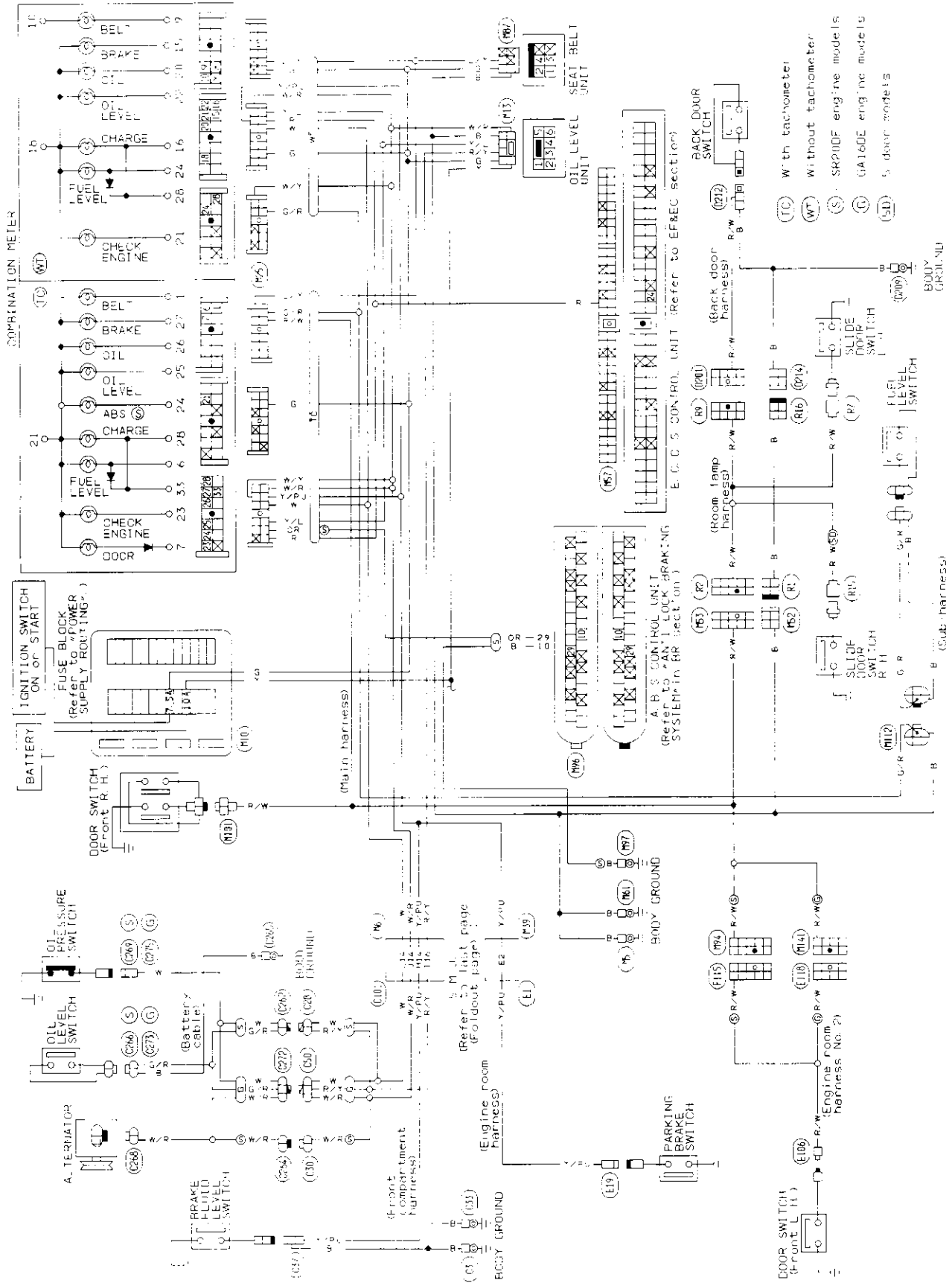


MEL695B

WARNING LAMPS AND BUZZER

Warning Lamps/Wiring Diagram (Cont'd)

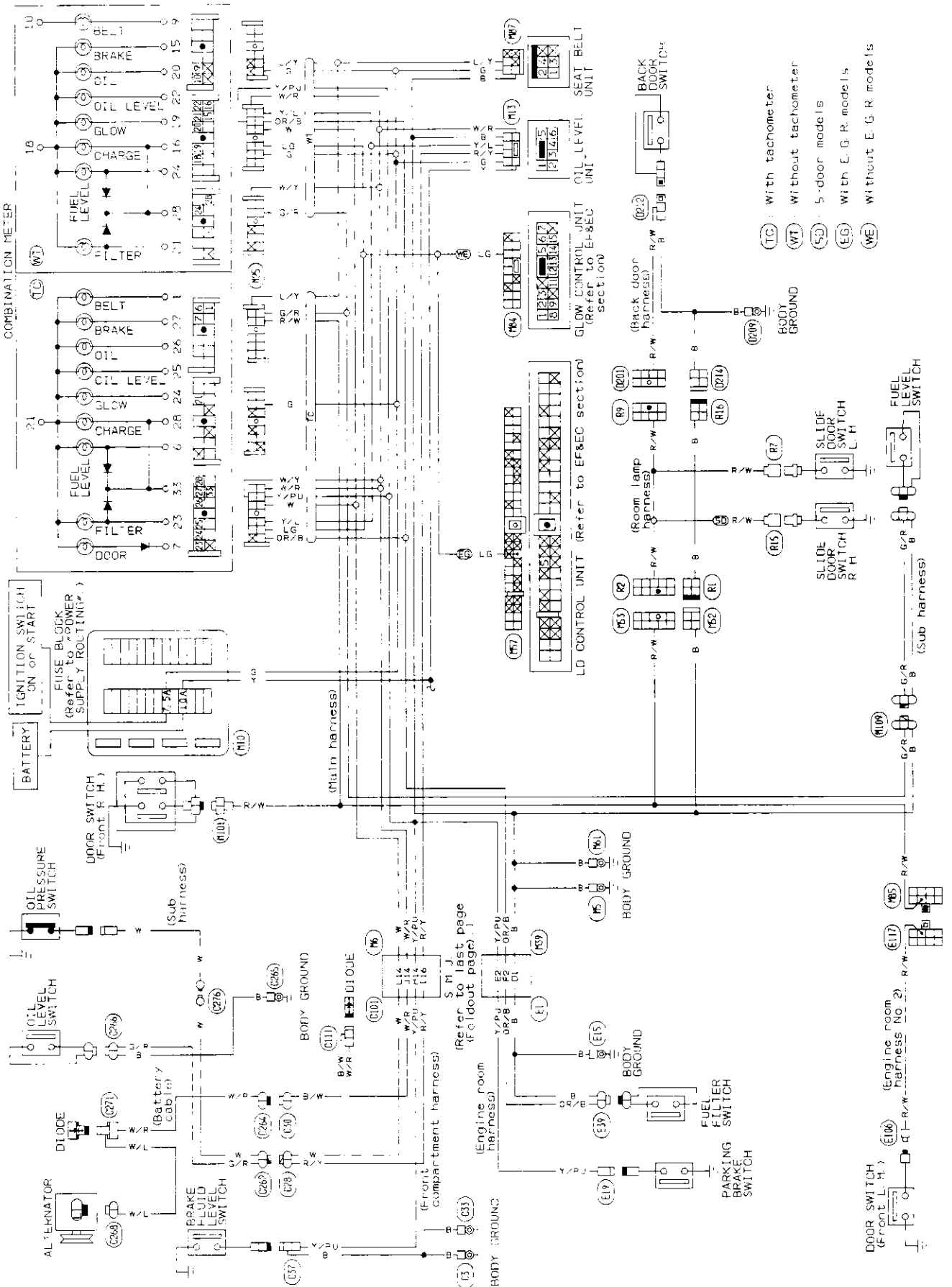
R.H.D. MODELS — Gasoline engine



WARNING LAMPS AND BUZZER

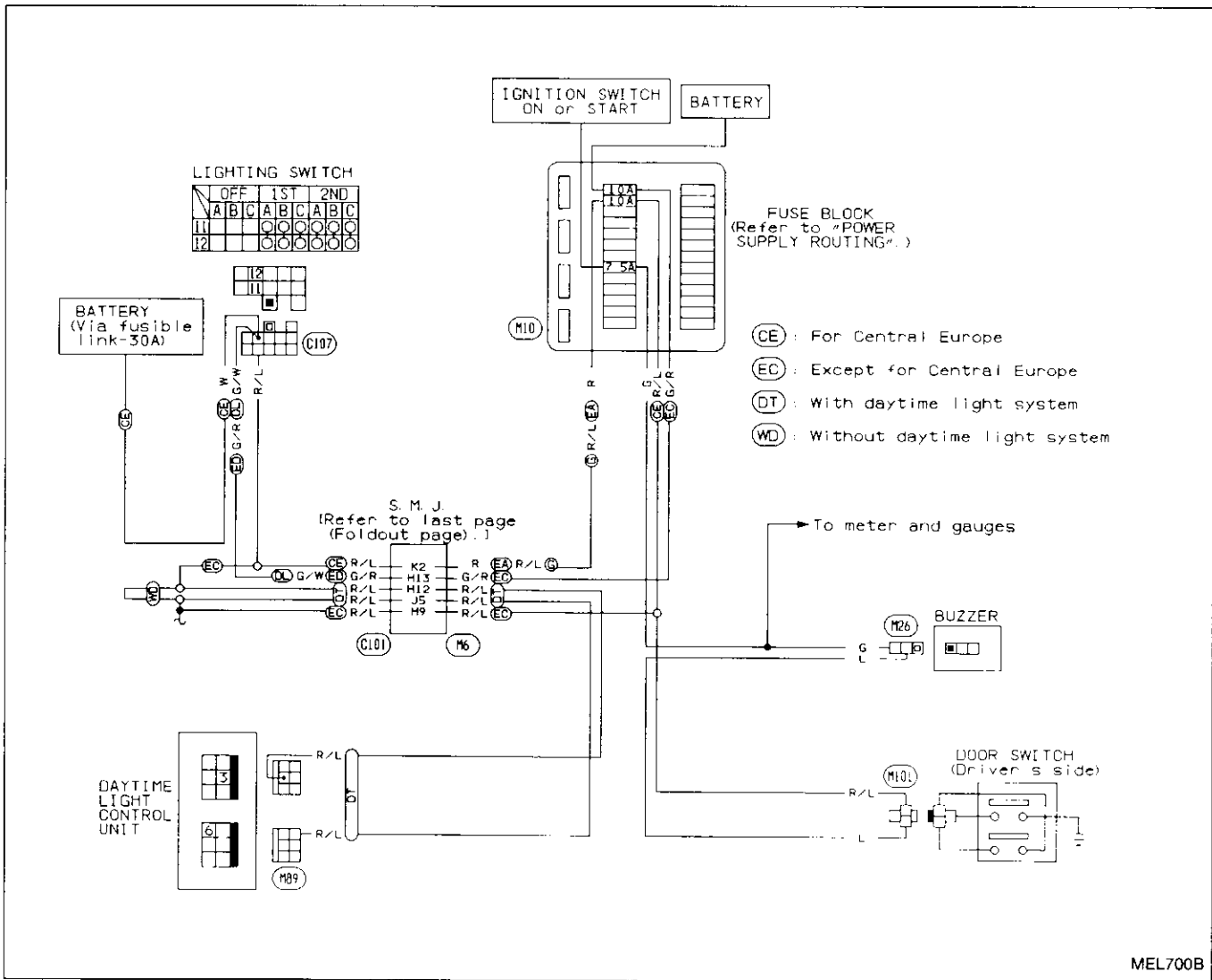
Warning Lamps/Wiring Diagram (Cont'd)

R.H.D. MODELS — Diesel engine

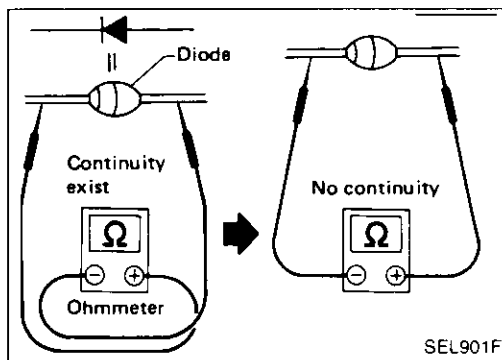


WARNING LAMPS AND BUZZER

Warning Buzzer/Wiring Diagram



WARNING LAMPS AND BUZZER

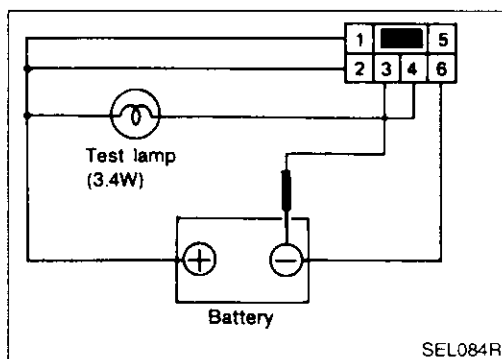


Diode Check

- Check continuity using an ohmmeter.
- Diode is functioning properly if test results are as shown in the figure at left.

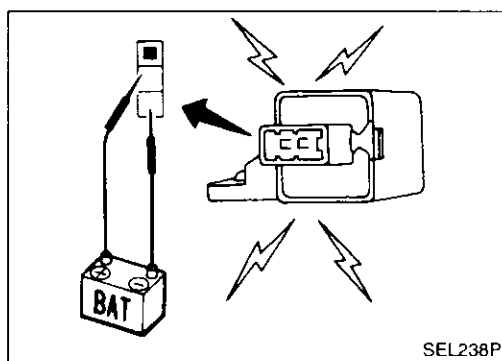
- Diodes for warning lamps are built into the combination meter printed circuit.

Refer to “Combination Meter”.



Engine Oil Level Unit Check

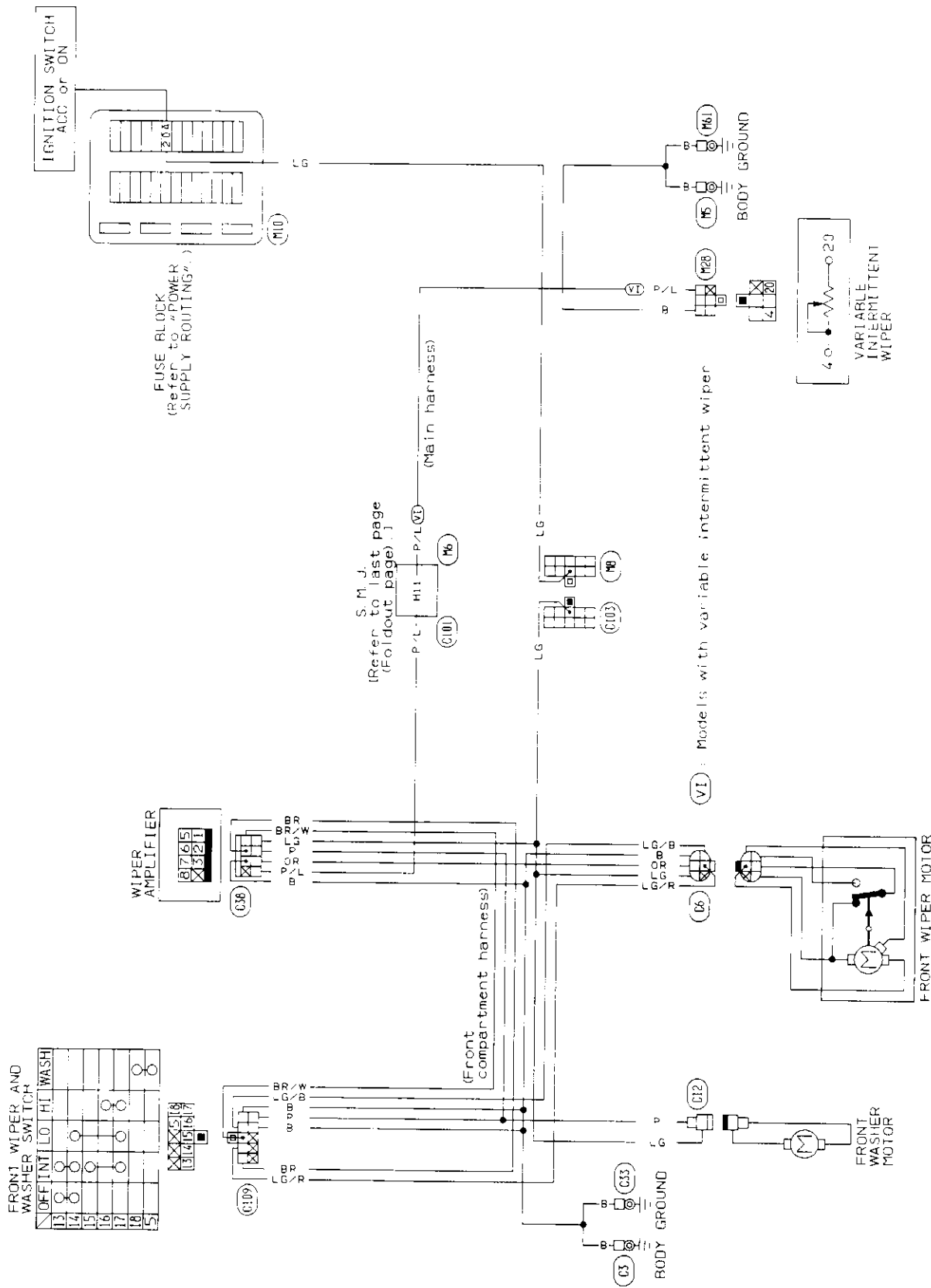
1. Connect as shown in the figure at left.
2. If test lamp comes on when disconnecting terminal ③ from battery ground, engine oil level unit is normal.



Warning Buzzer Check

WIPER AND WASHER

Front Wiper and Washer/Wiring Diagram



WIPER AND WASHER

Installation

1. Prior to wiper arm installation, turn on wiper switch to operate wiper motor and then turn it "OFF" (Auto Stop).
2. Lift the blade up and then set it down onto glass surface to set the blade center to clearance "A", "B" or "D" immediately before tightening nut.
3. Eject washer fluid. Turn on wiper switch to operate wiper motor and then turn it "OFF".
4. Ensure that wiper blades stop within clearance "A", "B" and "D".

Clearance "A": 45 - 50 mm (1.77 - 1.97 in)

Clearance "B": 40 - 45 mm (1.57 - 1.77 in)

Clearance "D": 73 - 88 mm (2.87 - 3.46 in) (COACH)

48 - 63 mm (1.89 - 2.48 in) (VAN)

- Tighten windshield wiper arm nuts to specified torque.

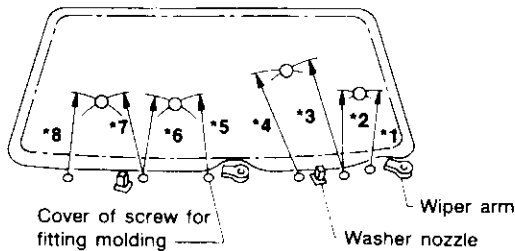
Front wiper:

17 - 23 N·m (1.7 - 2.3 kg·m, 12 - 17 ft·lb)

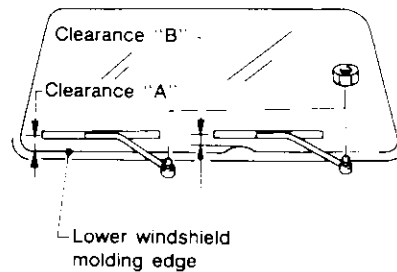
Rear wiper:

6 - 8 N·m (0.6 - 0.8 kg·m, 4.3 - 5.8 ft·lb)

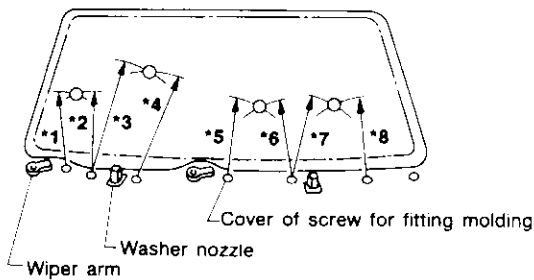
Front wiper and washer



L.H.D. model



The figure above is of a L.H.D. vehicle. The R.H.D. vehicle is the same but reversed.



R.H.D. model

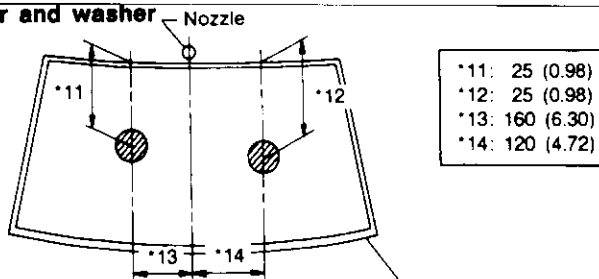
All the diameters of these circles are less than 50 (1.97).

*1:	370 (14.57)
*2:	445 (17.52)
*3:	630 (24.80)
*4:	623 (24.53)
*5:	277 (10.91)
*6:	269 (10.59)
*7:	348 (13.70)
*8:	268 (10.55)

Unit: mm (in)

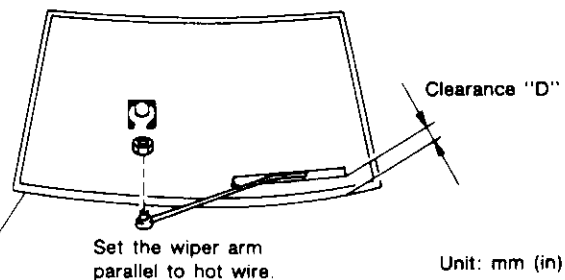
MEL645B

Rear wiper and washer



All the diameters of these circles are less than 50 (1.97).

*11:	25 (0.98)
*12:	25 (0.98)
*13:	160 (6.30)
*14:	120 (4.72)

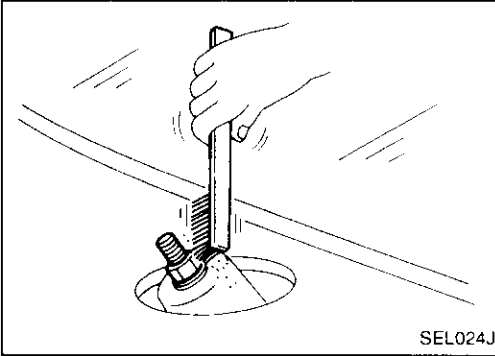


Unit: mm (in)

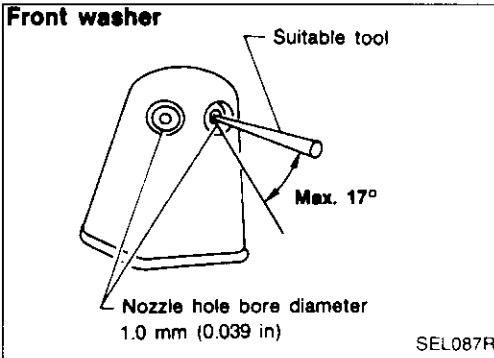
SEL086R

WIPER AND WASHER

Installation (Cont'd)

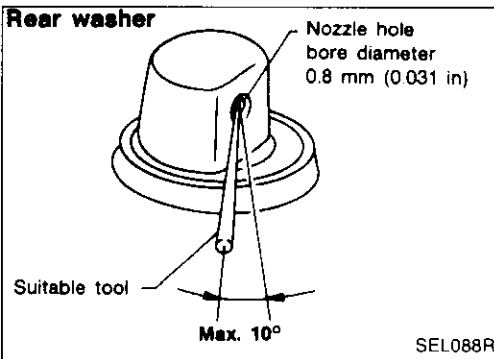


- Before reinstalling wiper arm, clean up the pivot area as illustrated. This will reduce possibility of wiper arm looseness.



Washer Nozzle Adjustment

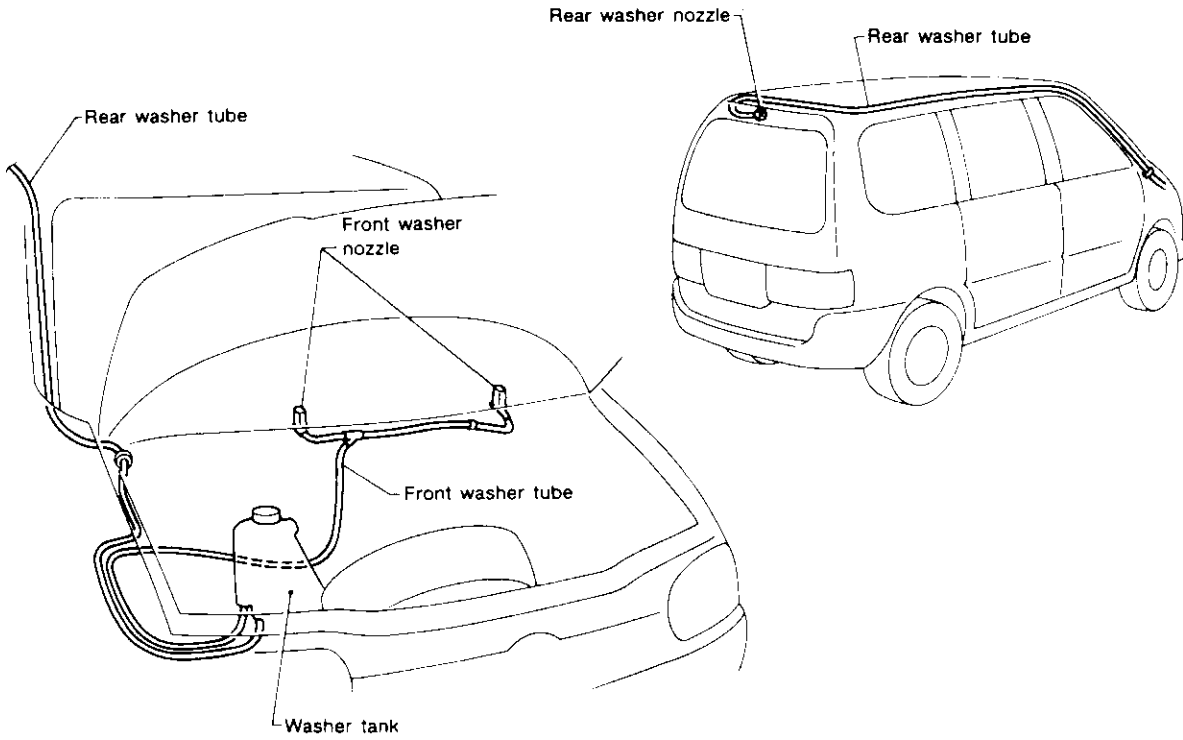
- Adjust washer nozzle with suitable tool as shown in the figure at left.
Adjustable range: $\pm 17^\circ$ (Front washer)
 $\pm 10^\circ$ (Rear washer)



WIPER AND WASHER

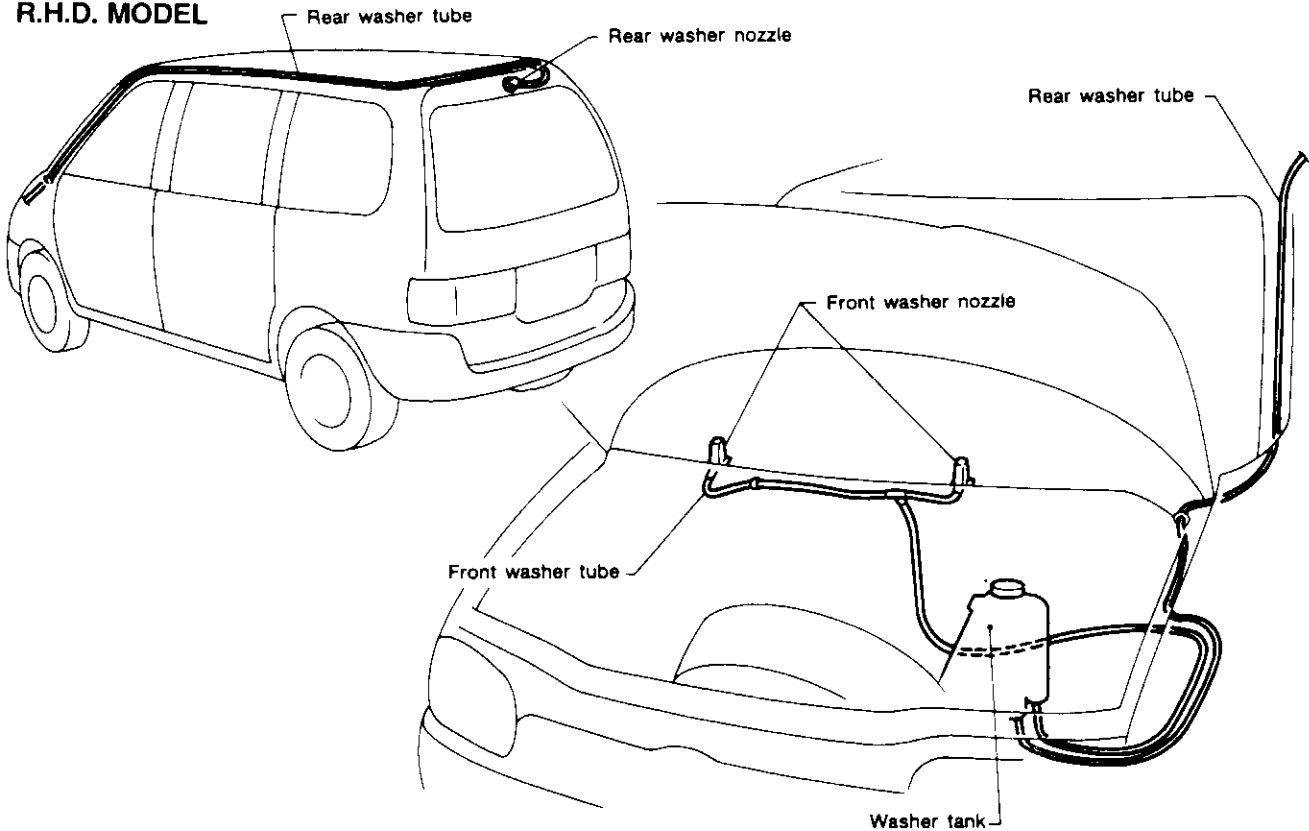
Washer Tube Layout

L.H.D. MODEL



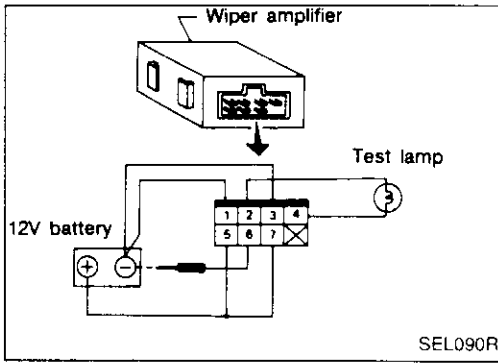
MEL646B

R.H.D. MODEL



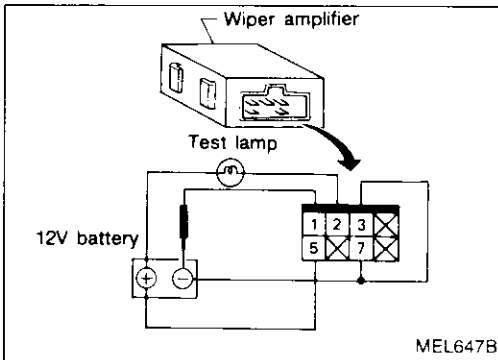
SEL089R

WIPER AND WASHER



Front Wiper Amplifier Check

1. Connect as shown in the figure at left.
2. If test lamp comes on when connected to terminal ⑥ and battery ground, wiper amplifier is normal.

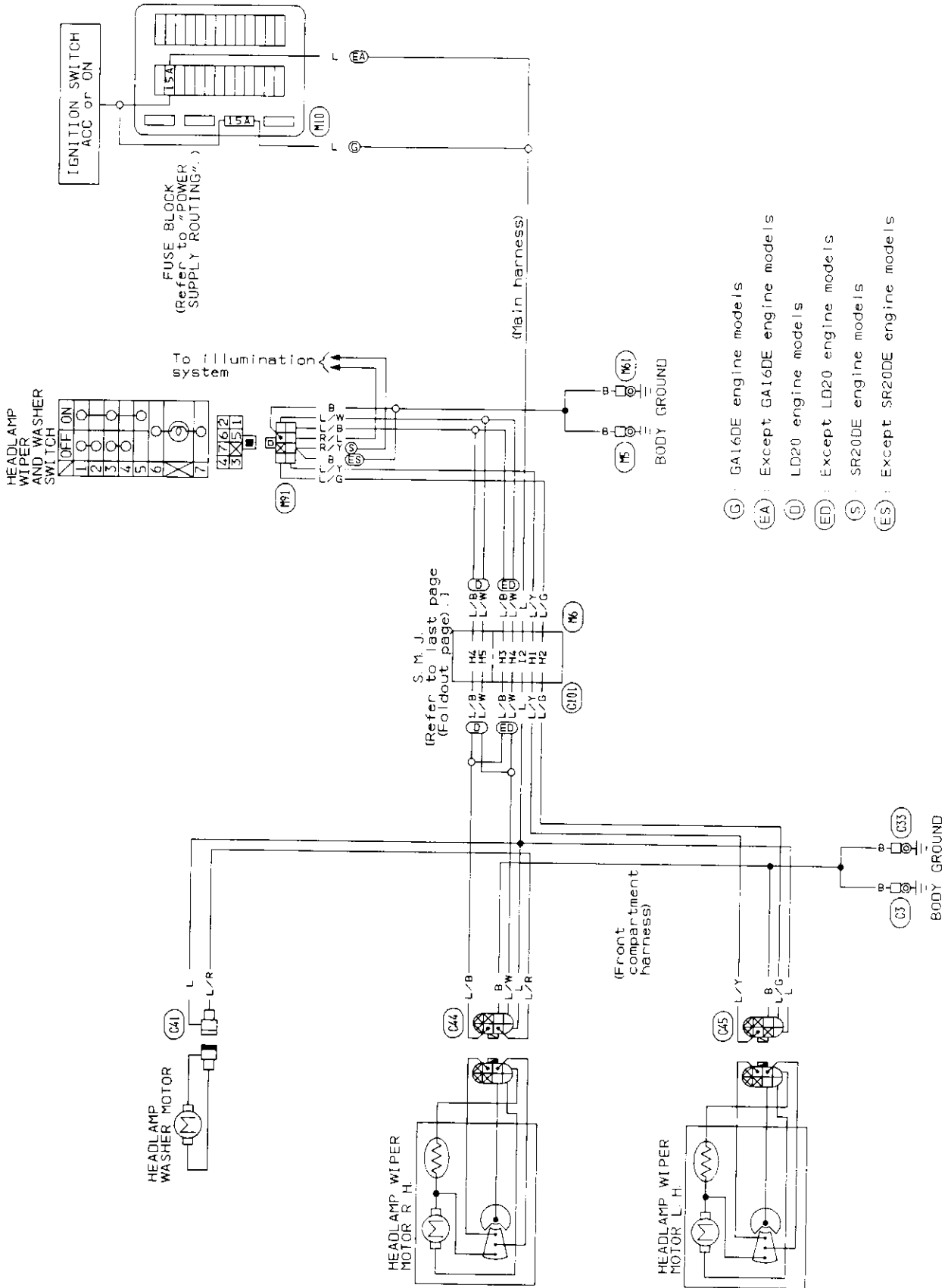


Rear Wiper Amplifier Check

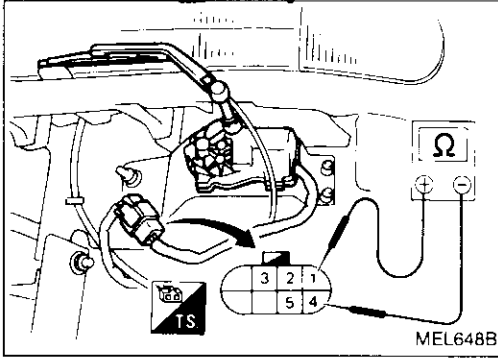
1. Connect as shown in the figure at left.
2. If test lamp comes on when connected to terminal ① and battery ground, wiper amplifier is normal.

WIPER AND WASHER

Headlamp Wiper and Washer/Wiring Diagram



WIPER AND WASHER

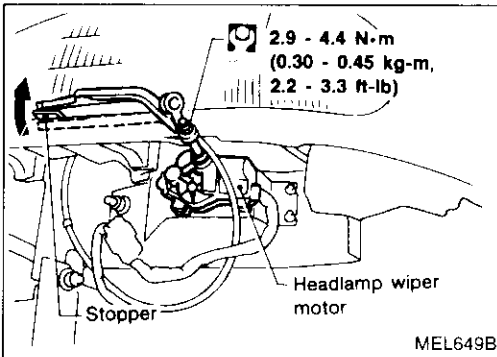


Headlamp Wiper Motor Check

When wiper motor is locked, a protective circuit built into wiper motor activates to stop wiper motor. If wiper motor will not restart even after cause of problems has been eliminated, turn ignition switch OFF and leave it off for approx. 1 to 3 minutes.

1. Turn headlamp wiper switch OFF.
2. Connect ohmmeter and check continuity.

Headlamp wiper motor	Ohmmeter probe		Continuity
	(·)	(-)	
Stop position	①	④	Yes
	①	②	Yes
	①	③	Yes
	③	⑤	No



Headlamp Wiper Installation

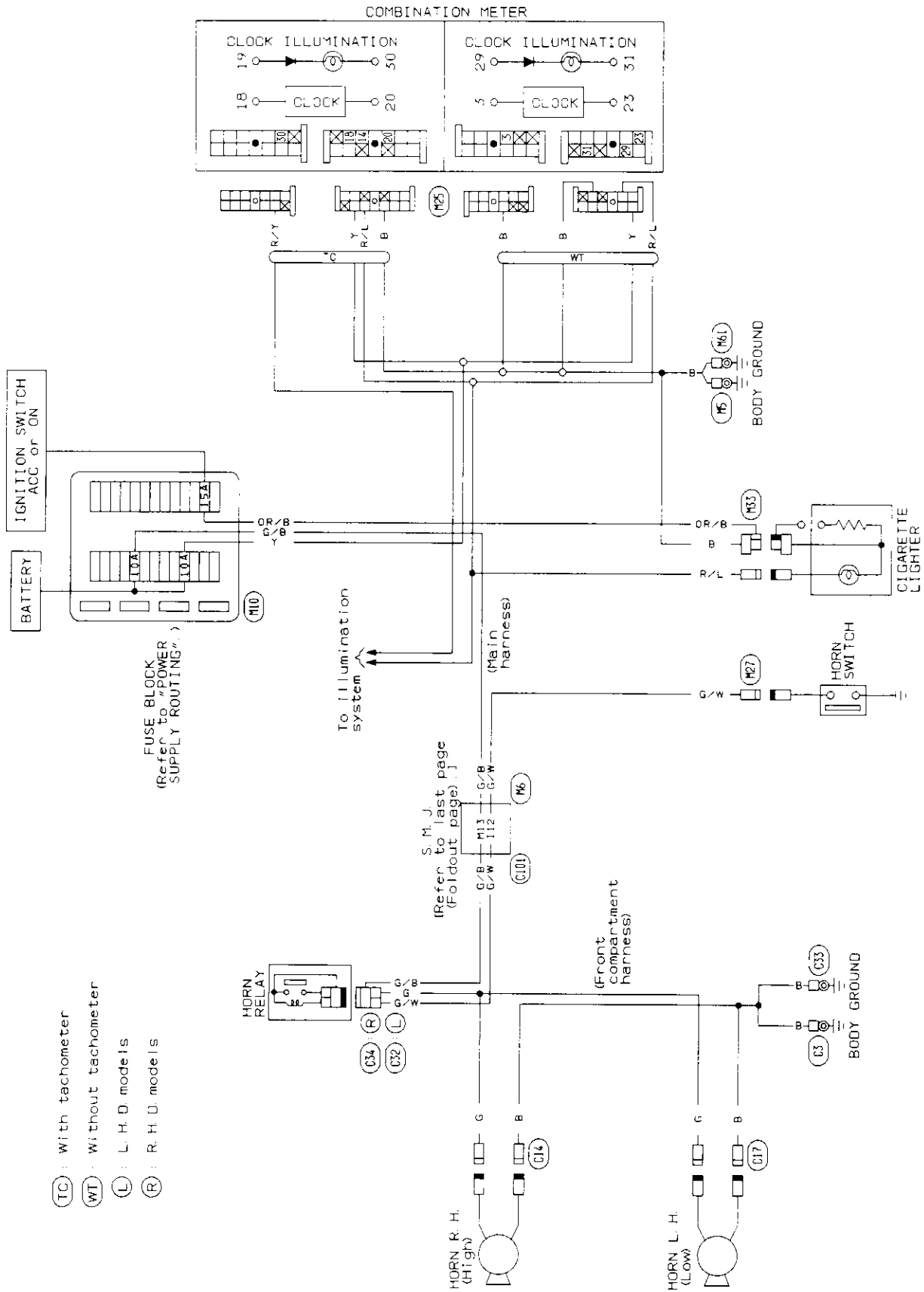
Tighten nut to secure wiper arm with wiper blade held below lower stopper.

After installing wiper arm, position wiper blade on stopper upper surface.

- Tighten headlamp wiper arm nut to the specified torque.
 - Ⓜ: 2.9 - 4.4 N·m
(0.30 - 0.45 kg-m, 2.2 - 3.3 ft-lb)

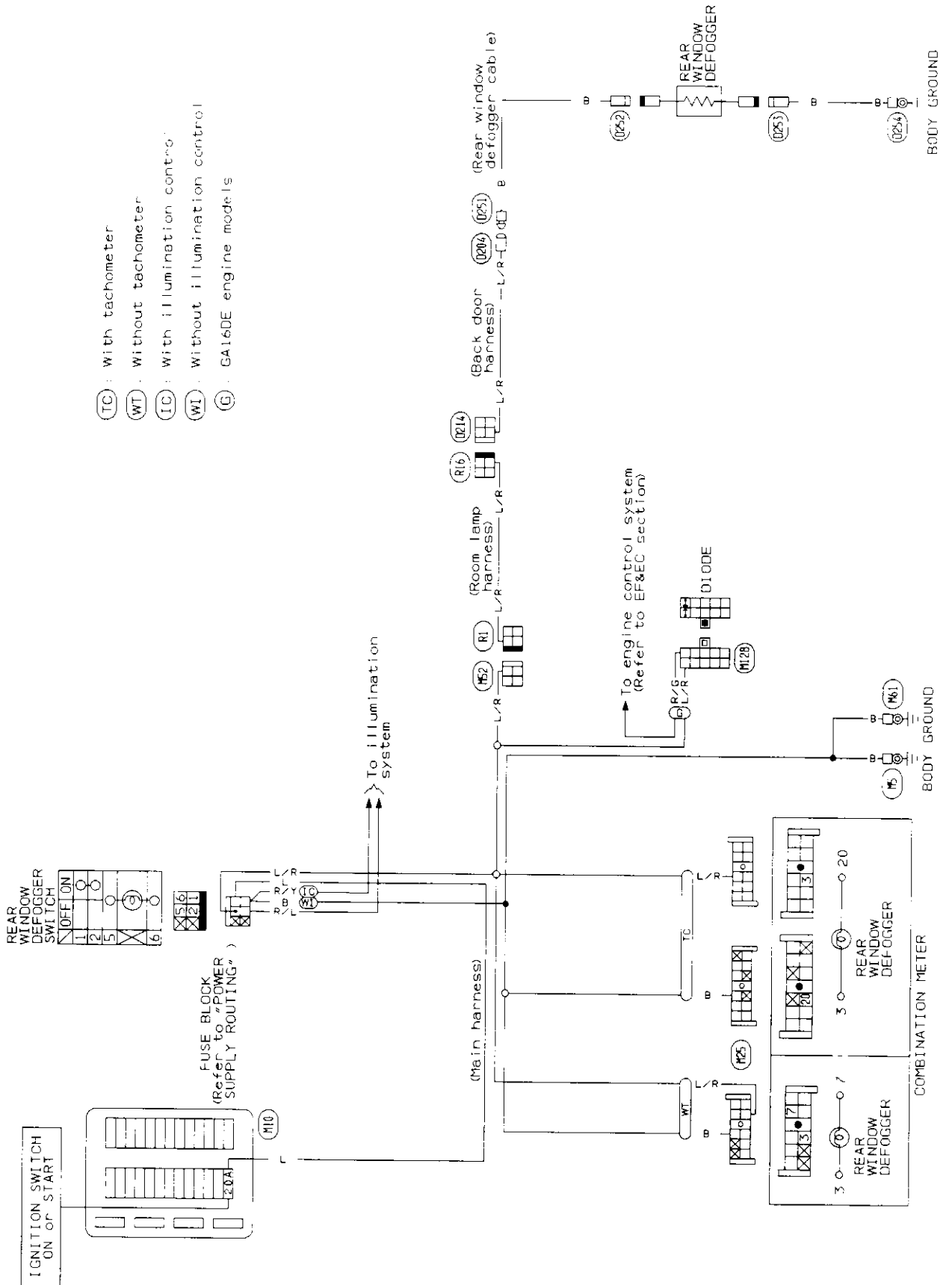
HORN, CIGARETTE LIGHTER AND CLOCK

Wiring Diagram



REAR WINDOW DEFOGGER

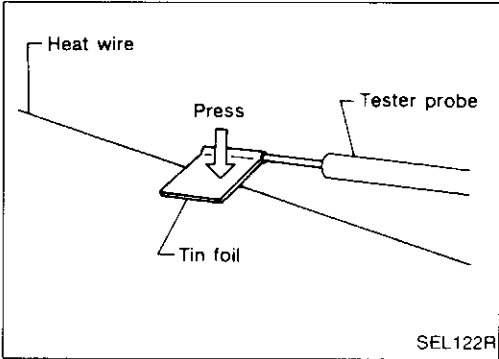
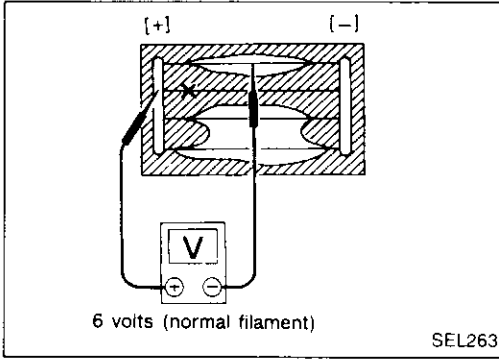
Wiring Diagram



REAR WINDOW DEFOGGER

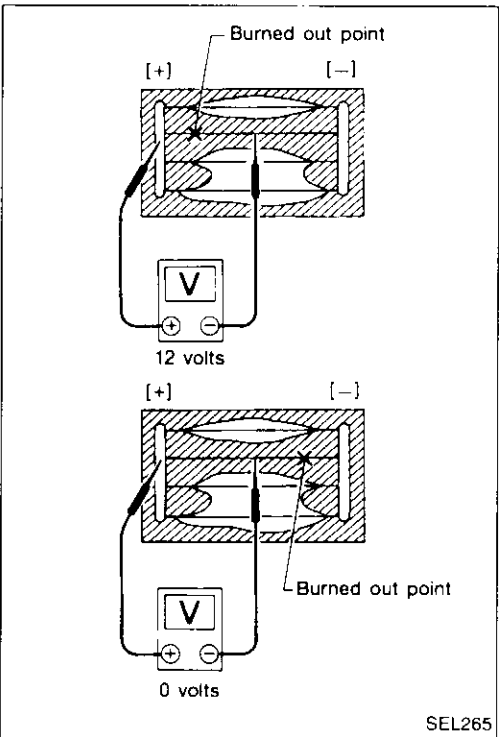
Filament Check

1. Attach probe circuit tester (in volt range) to middle portion of each filament.

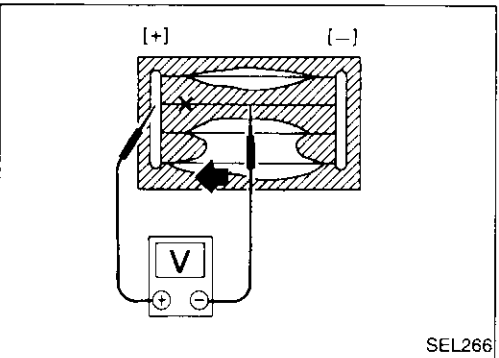


When measuring voltage, wind a piece of tin foil around the top of the negative probe and press the foil against the wire with your finger to prevent the wire from being damaged.

2. If a filament is burned out, circuit tester registers 0 or 12 volts.



3. To locate burned out point, move probe to left and right along filament to determine point where tester needle swings abruptly.



REAR WINDOW DEFOGGER

Filament Repair

REPAIR EQUIPMENT

1. Conductive silver composition (Dupont No. 4817 or equivalent)
2. Ruler 30 cm (11.8 in) long
3. Drawing pen
4. Heat gun
5. Alcohol
6. Cloth

REPAIRING PROCEDURE

1. Wipe broken heat wire and its surrounding area clean with a cloth dampened in alcohol.
2. Apply a small amount of conductive silver composition to tip of drawing pen.

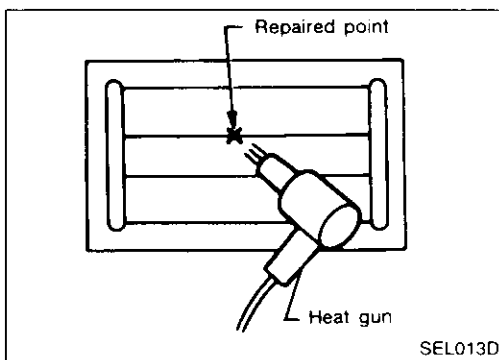
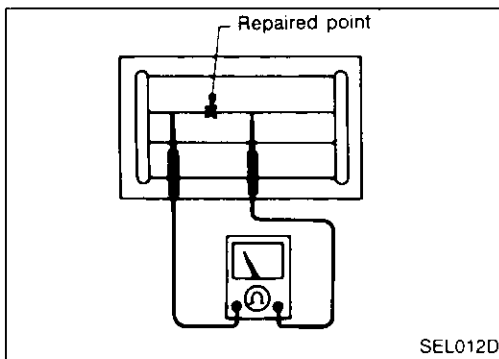
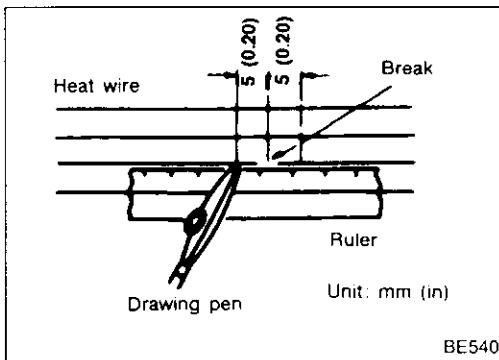
Shake silver composition container before use.

3. Place ruler on glass along broken line. Deposit conductive silver composition on break with drawing pen. Slightly overlap existing heat wire on both sides [preferably 5 mm (0.20 in)] of the break.

4. After repair has been completed, check repaired wire for continuity. This check should be conducted 10 minutes after silver composition is deposited.

Do not touch repaired area while test is being conducted.

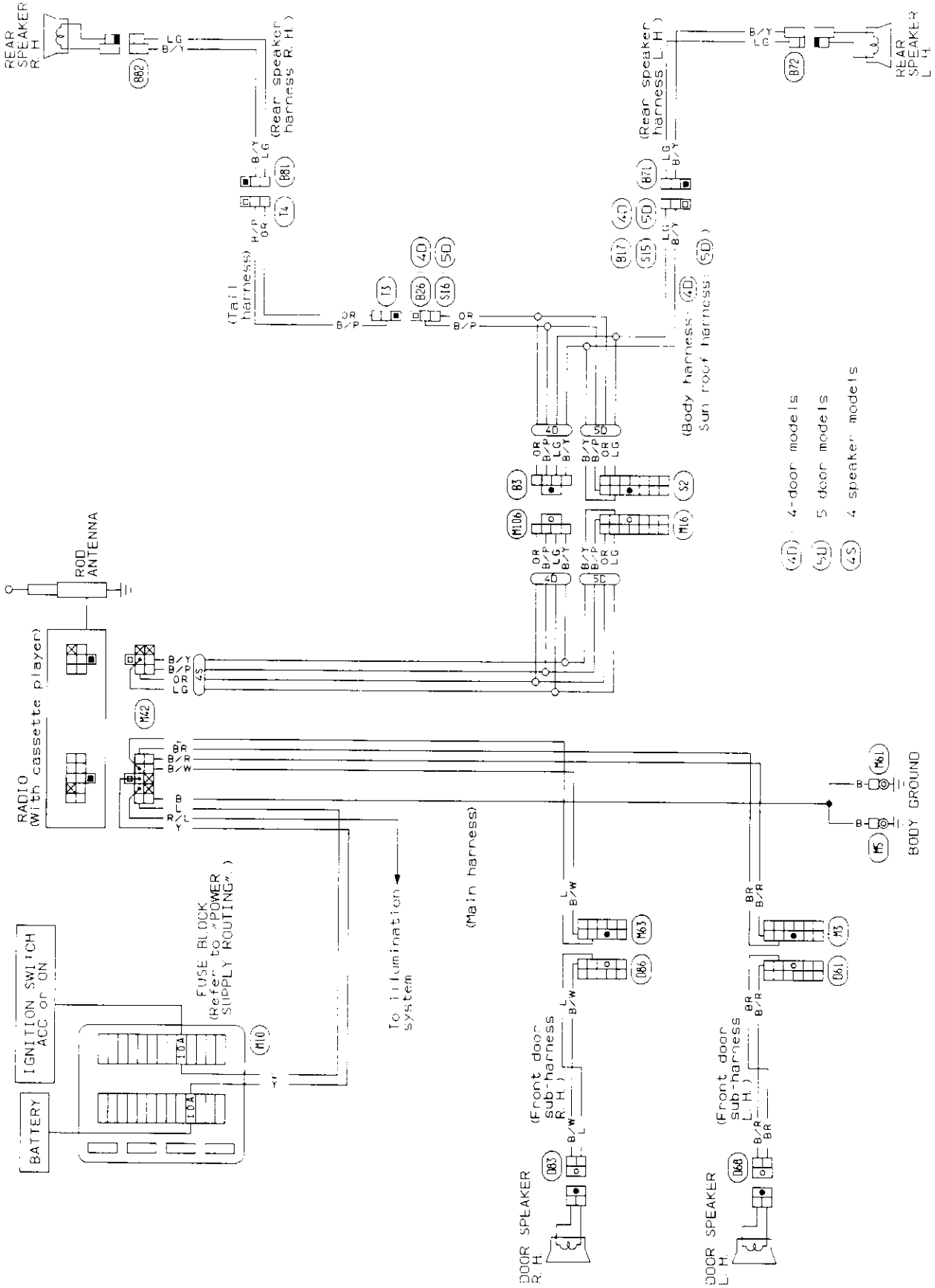
5. Apply a constant stream of hot air directly to the repaired area for approximately 20 minutes with a heat gun. A minimum distance of 3 cm (1.2 in) should be kept between repaired area and hot air outlet. If a heat gun is not available, let the repaired area dry for 24 hours.



AUDIO

Audio/Wiring Diagram

L.H.D. Model

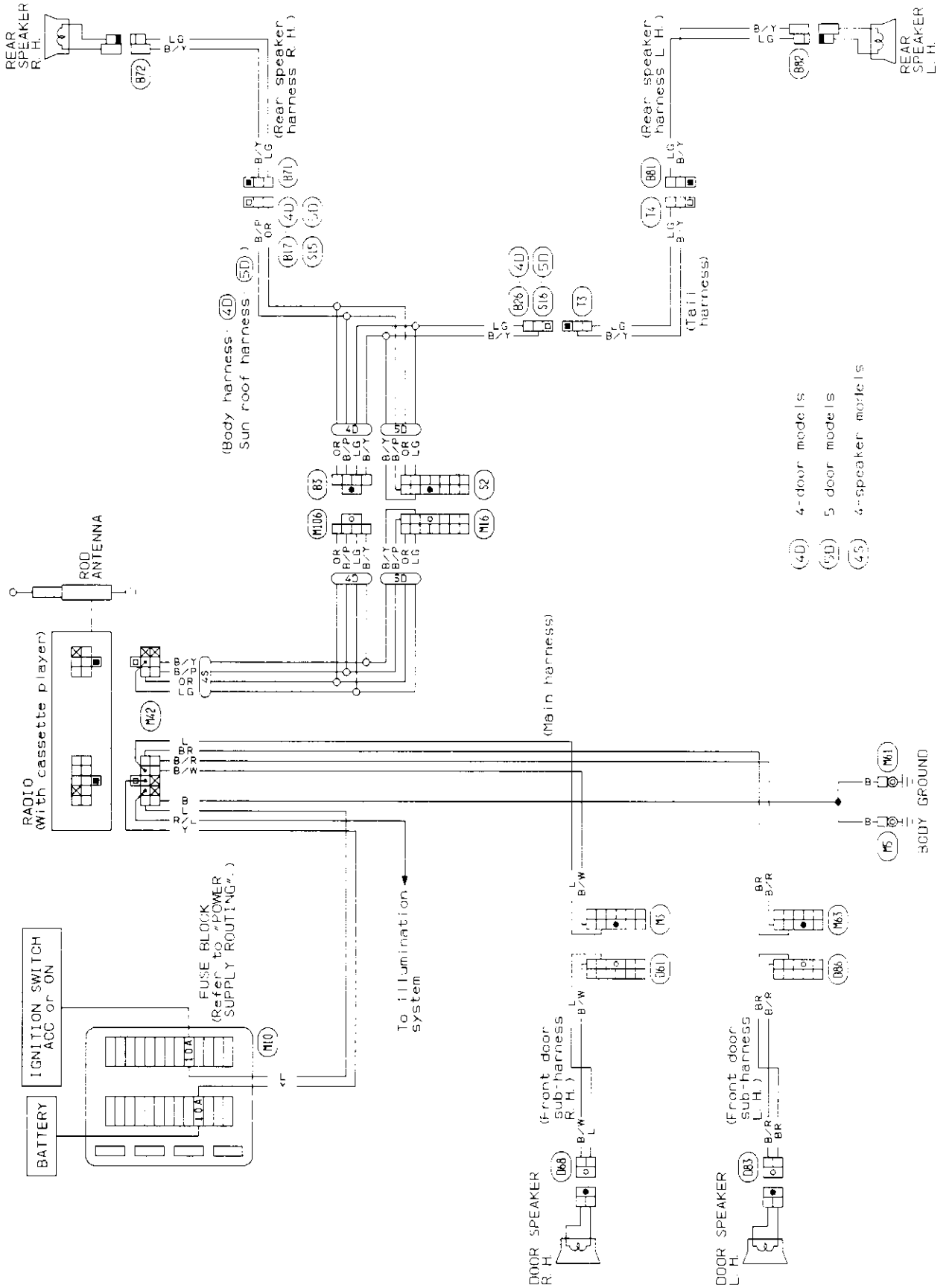


MEL707B

AUDIO

Audio/Wiring Diagram (Cont'd)

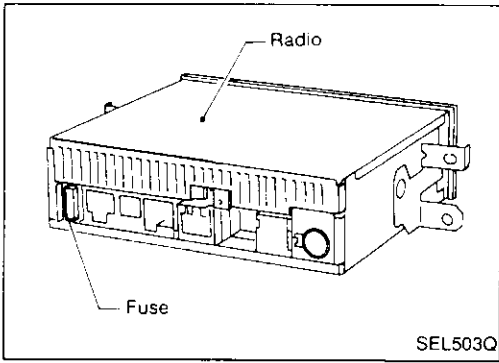
R.H.D. Model



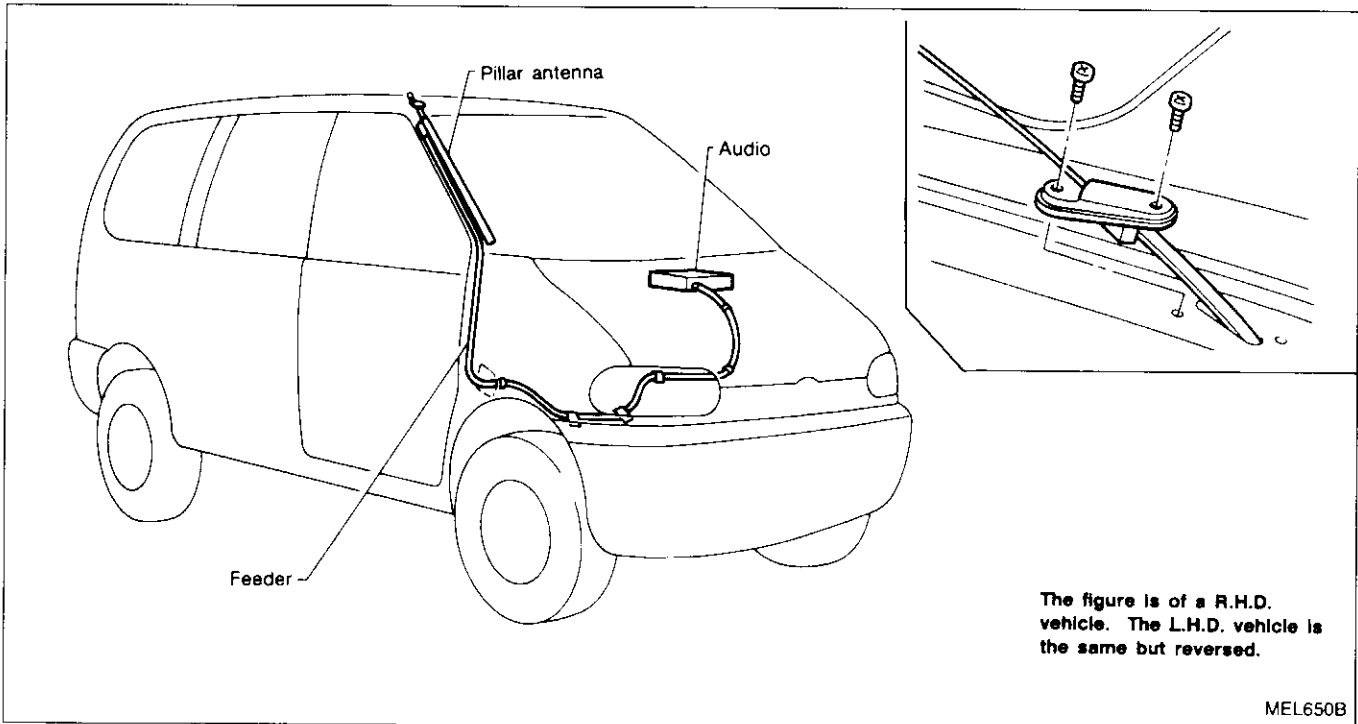
- (4D) 4-door models
- (5D) 5-door models
- (4S) 4-speaker models

AUDIO

Radio Fuse Check



Location of Antenna

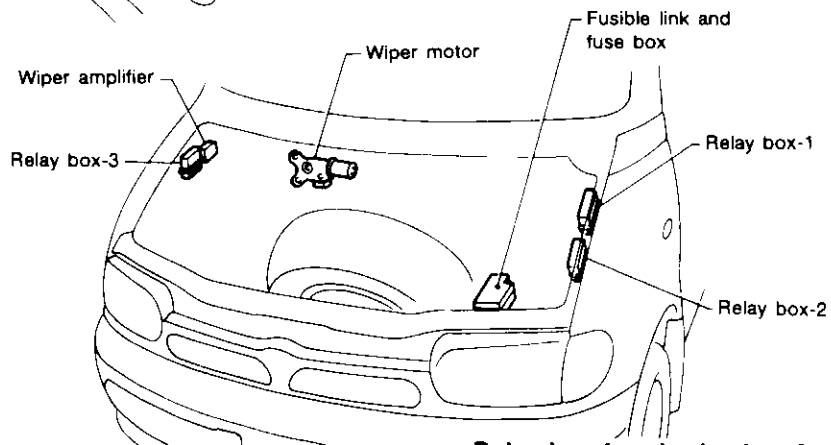
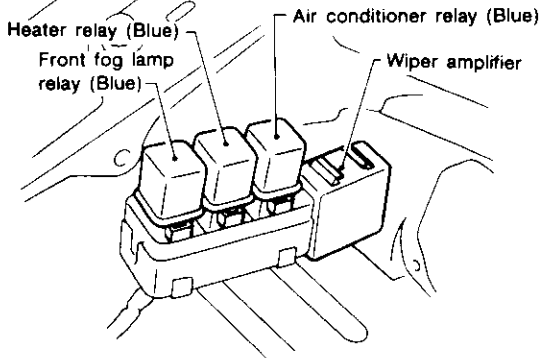


LOCATION OF ELECTRICAL UNIT

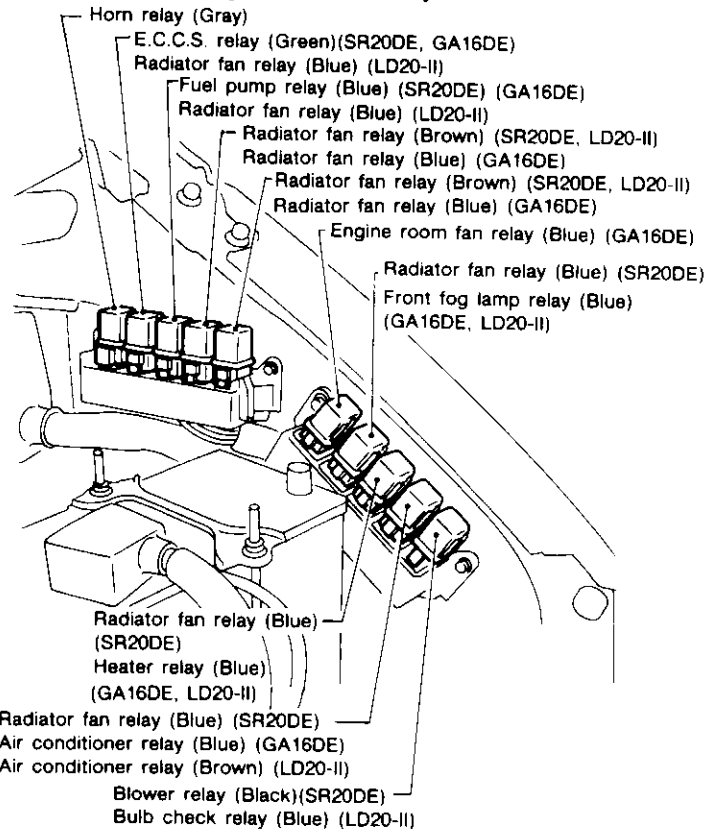
Front Compartment

L.H.D. MODEL

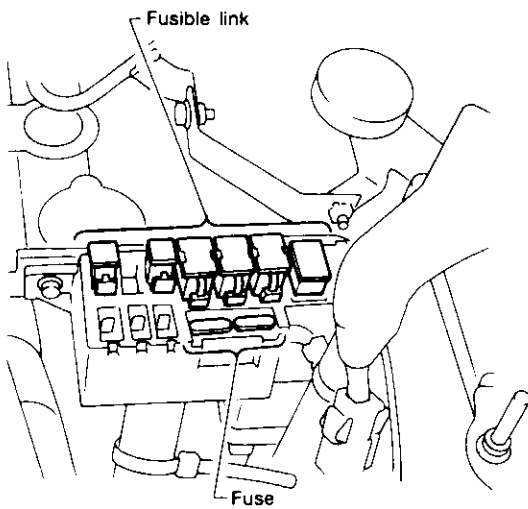
Relay box-3 (SR20DE) and wiper amp.



Relay box-1 and relay box-2



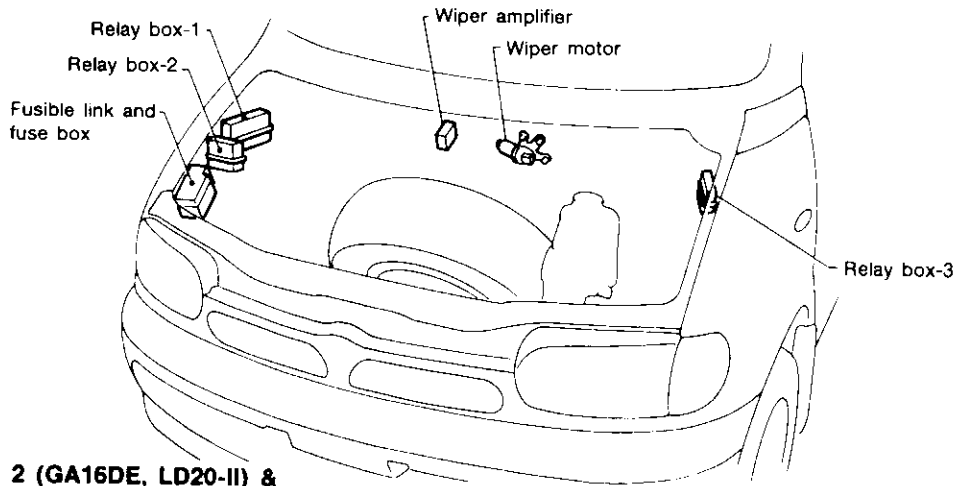
Fusible link and fuse box



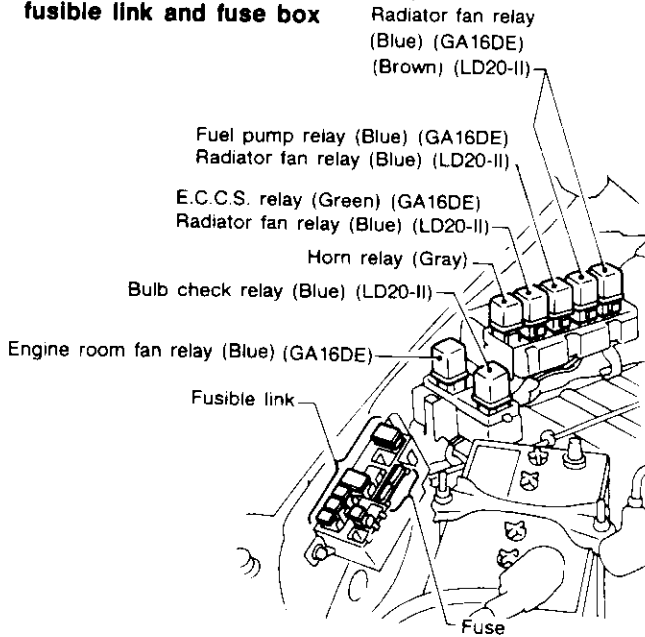
LOCATION OF ELECTRICAL UNIT

Front Compartment (Cont'd)

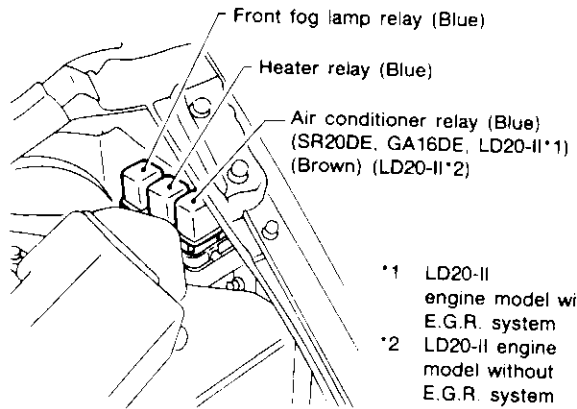
R.H.D. MODEL



Relay box-1, 2 (GA16DE, LD20-II) & fusible link and fuse box

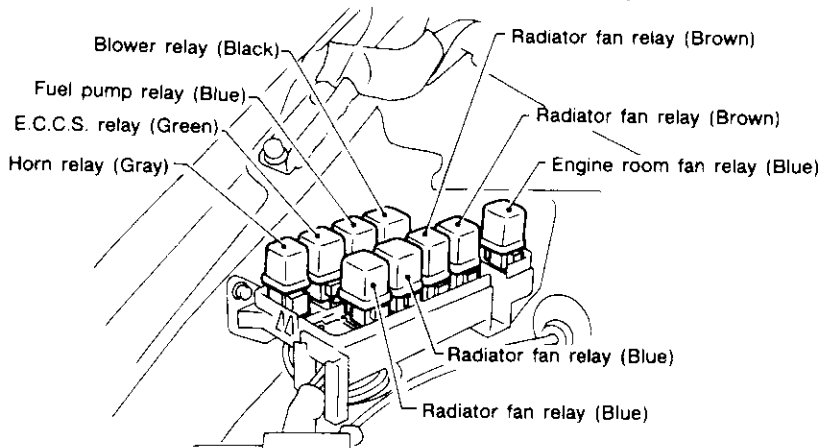


Relay box-3



- *1 LD20-II engine model with E.G.R. system
- *2 LD20-II engine model without E.G.R. system

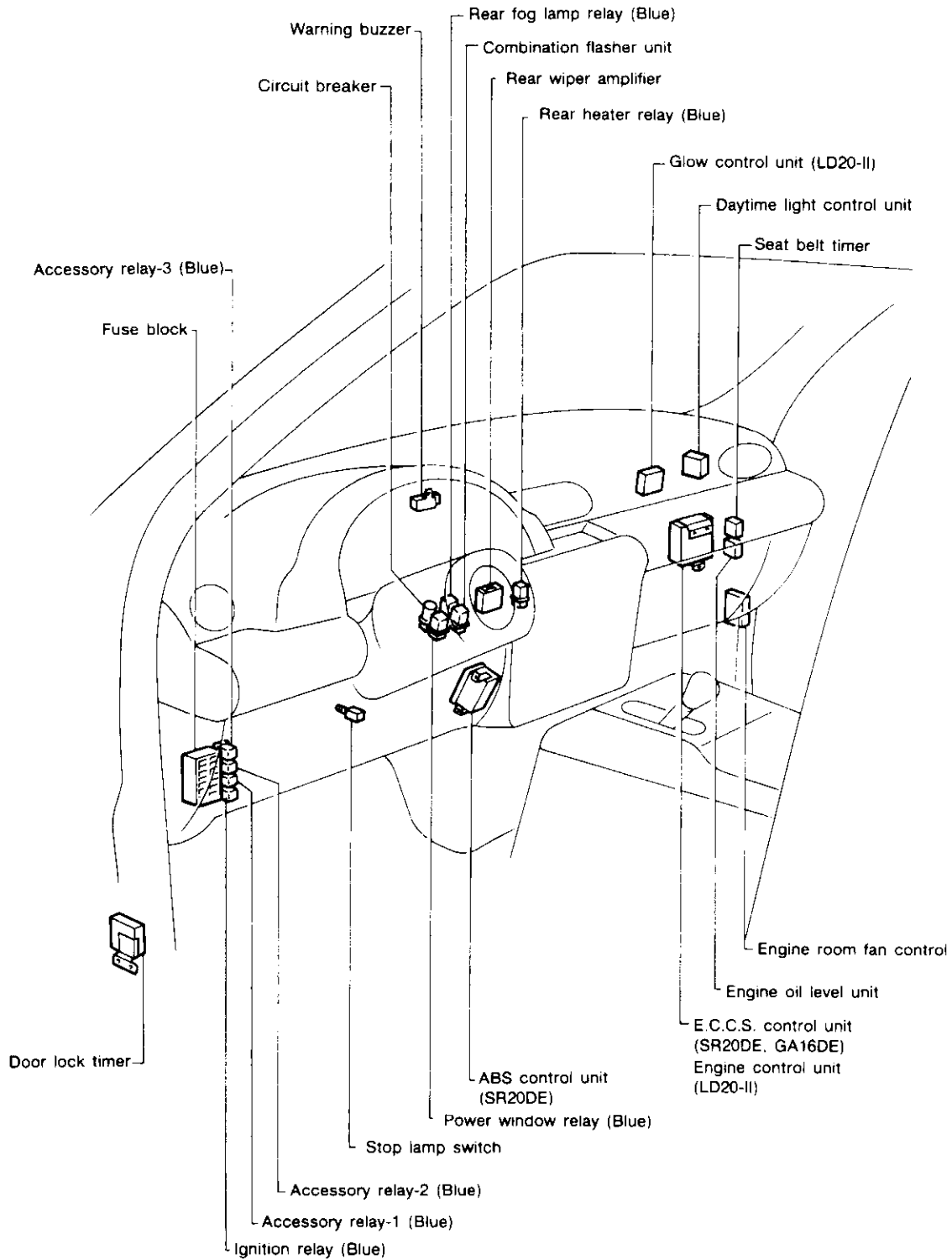
Relay box-1 (SR20DE)



LOCATION OF ELECTRICAL UNIT

Passenger Compartment — Front

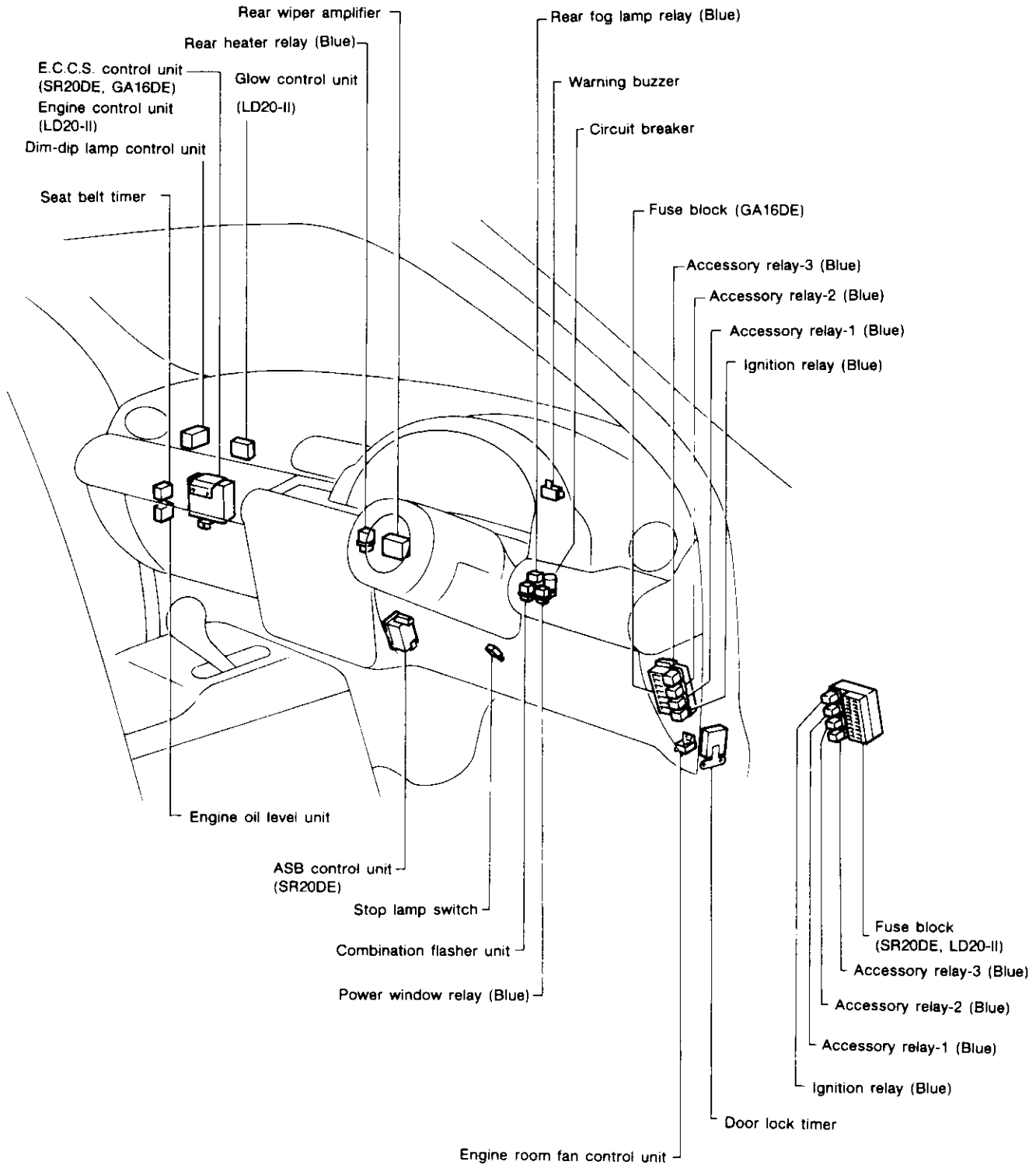
L.H.D. MODEL



LOCATION OF ELECTRICAL UNIT

Passenger Compartment — Front (Cont'd)

R.H.D. MODEL

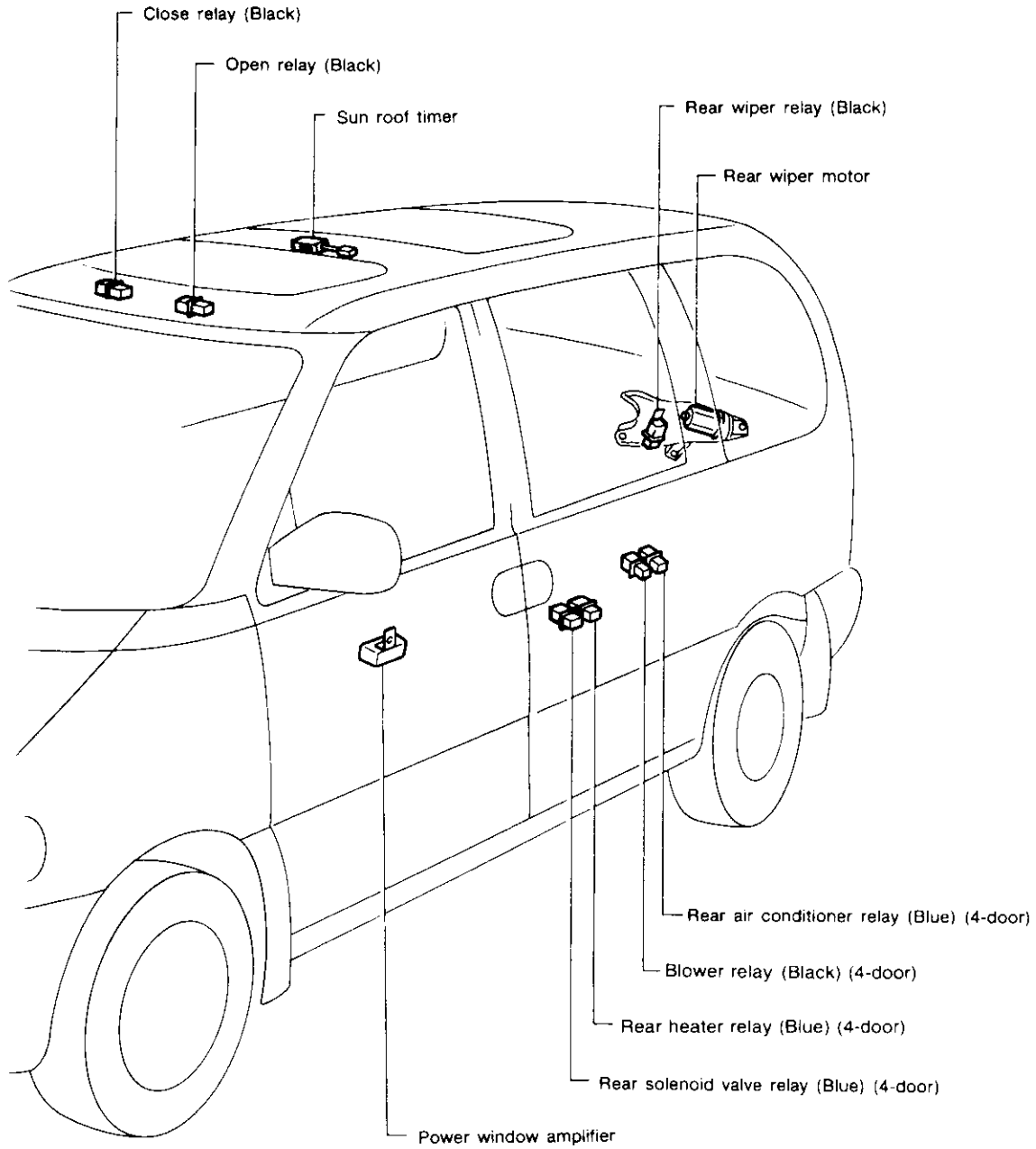


MEL654B

LOCATION OF ELECTRICAL UNIT

Passenger Compartment — Rear

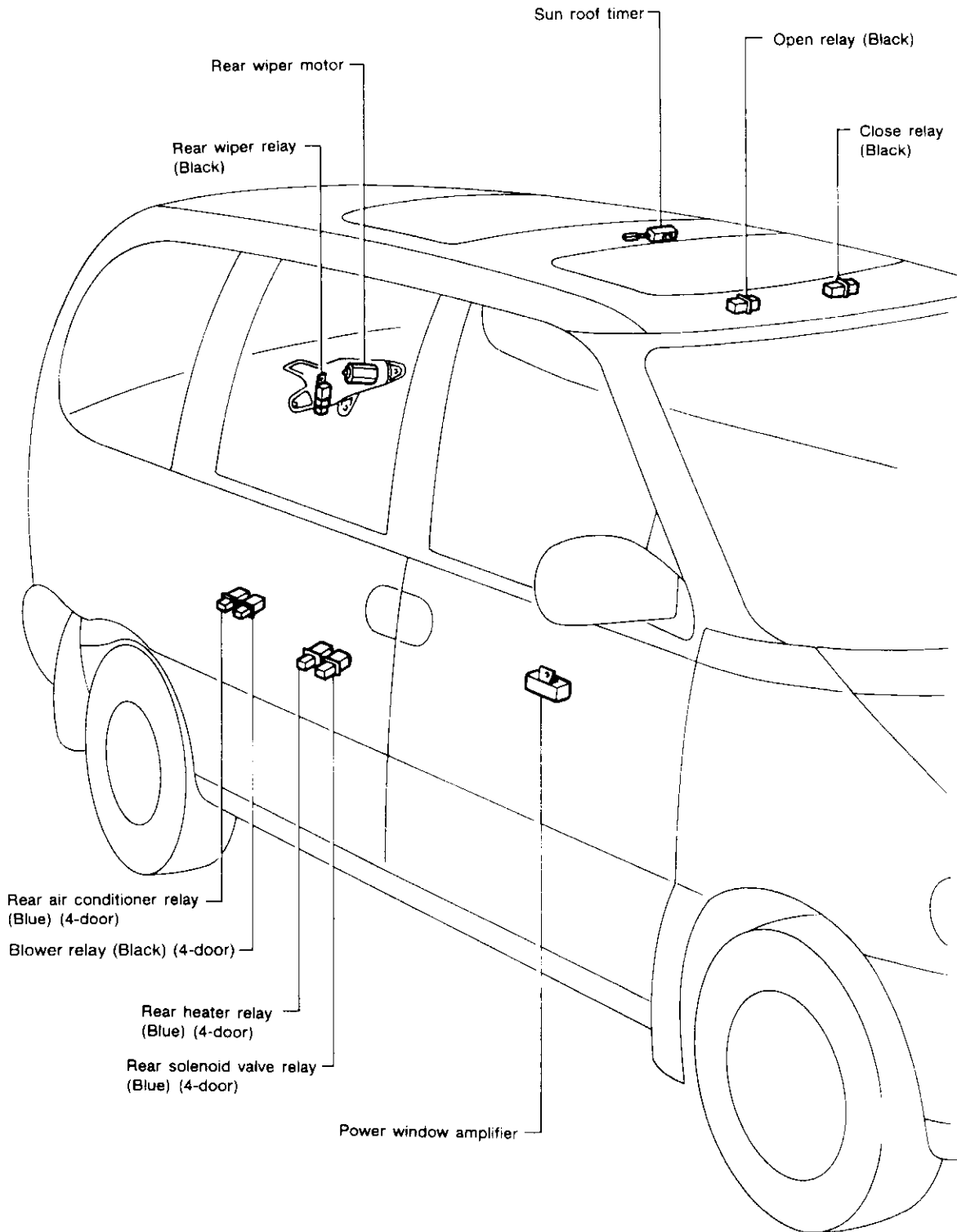
L.H.D. MODEL



LOCATION OF ELECTRICAL UNIT

Passenger Compartment — Rear (Cont'd)

R.H.D. MODEL

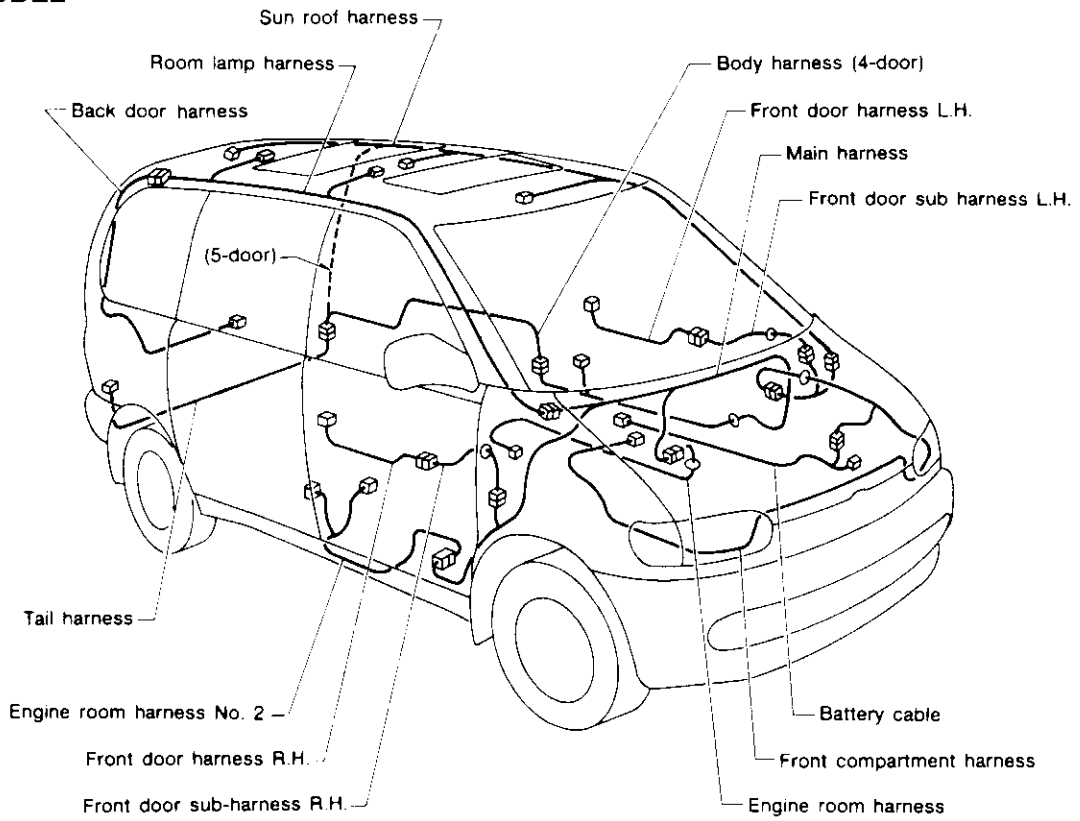


MEL656B

HARNESS LAYOUT

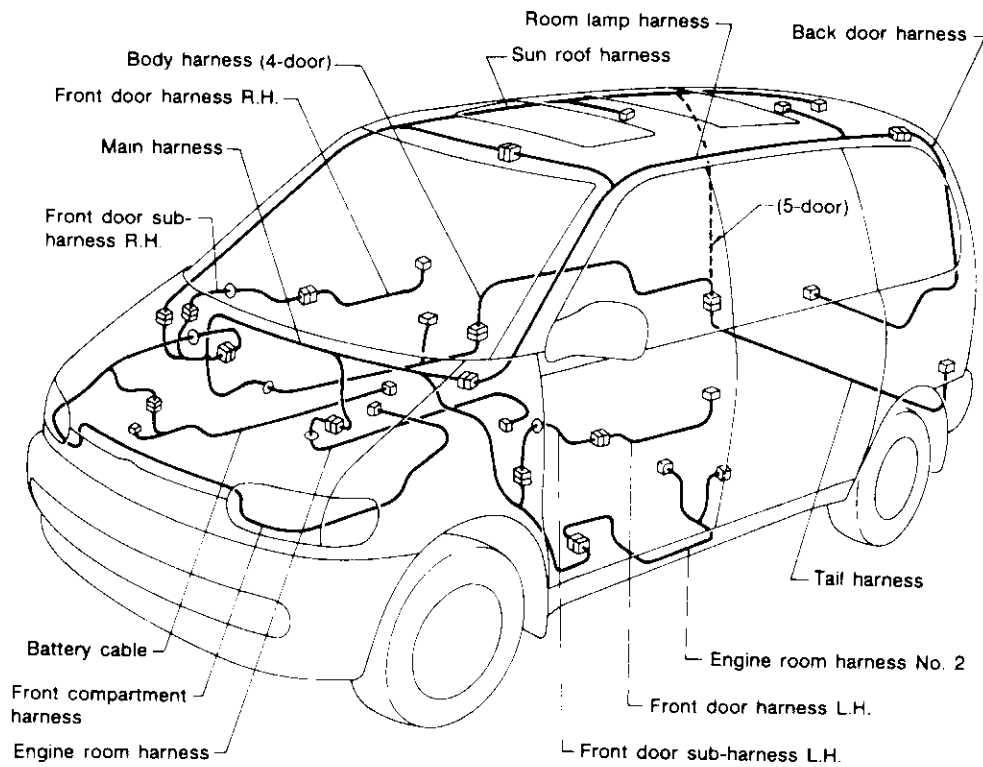
Outline

L.H.D. MODEL



MEL611B

R.H.D. MODEL

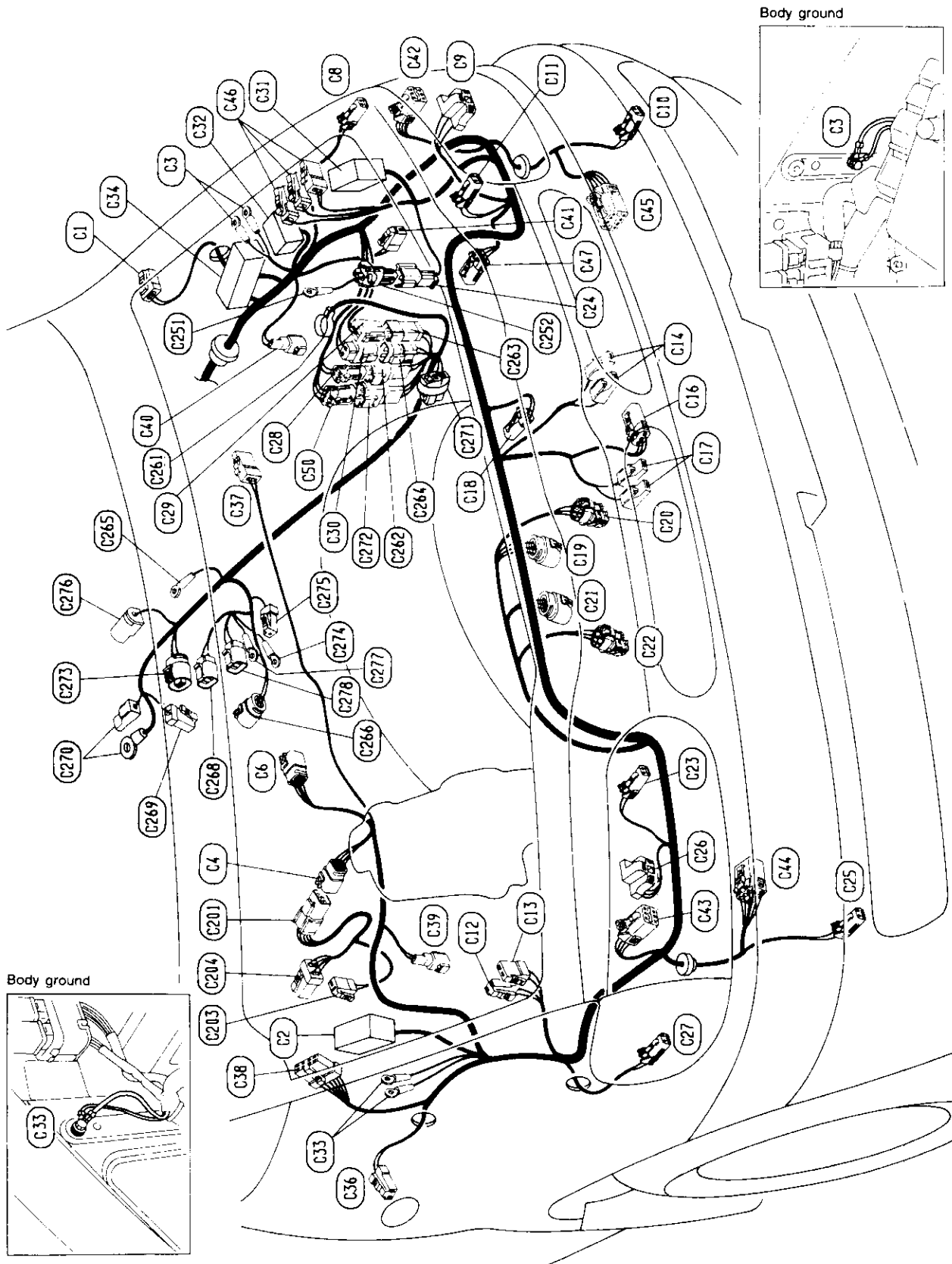


MEL612B

HARNESS LAYOUT

Front Compartment Harness — L.H.D. Models

FRONT COMPARTMENT



HARNESS LAYOUT

Front Compartment Harness — L.H.D. Models (Cont'd)

Front compartment harness

- (C1) : Side turn signal lamp L.H.
- (C2) : Relay box-3 (Refer to "LOCATION OF ELECTRICAL UNITS".)
- (C3) : Body ground
- (C4) : To (C21)
- (C5) : Front wiper motor
- (C6) : Clearance lamp L.H.
- (C8) : Headlamp L.H.
- (C9) : Front turn signal lamp L.H.
- (C11) : Front fog lamp L.H.
- (C12) : Front washer motor
- (C13) : Rear washer motor
- (C14) : Horn L.H.
- (C16) : Ambient switch (SR20DE)
- (C17) : Horn R.H.
- (C18) : Dual-pressure switch
- (C19) : Radiator fan motor - 1
- (C20) : Radiator fan motor - 1
- (C21) : Radiator fan motor - 2 (SR20DE & LD20-II)
- (C22) : Radiator fan motor - 2 (SR20DE & LD20-II)
- (C23) : Front fog lamp R.H.
- (C24) : To (C25)
- (C25) : Front turn signal lamp R.H.
- (C26) : Headlamp R.H.
- (C27) : Clearance lamp R.H.
- (C28) : To (C29)
- (C29) : To (C26)
- (C30) : To (C26) (SR20DE & LD20-II)
- (C31) : Fusible link and fuse box
- (C32) : Relay box - 2 (Refer to "LOCATION OF ELECTRICAL UNITS".)
- (C33) : Body ground
- (C34) : Relay box - 1 (Refer to "LOCATION OF ELECTRICAL UNITS".)
- (C36) : Side turn signal lamp R.H.
- (C37) : Brake fluid level switch
- (C38) : Wiper amplifier
- (C39) : ABS sensor front R.H. (SR20DE)
- (C40) : ABS sensor front L.H. (SR20DE)
- (C41) : Headlamp aiming motor L.H.
- (C42) : Headlamp aiming motor R.H.
- (C43) : Glow relay (LD20-II)
- (C44) : Thermo switch (LD20-II)
- (C50) : To (C27) (GA16DE)

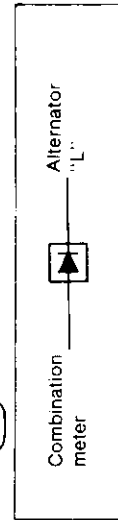
Battery cable

- (C251) : Battery
- (C252) : To (C24)
- (C261) : Battery
- (C262) : To (C28)
- (C263) : To (C29)
- (C264) : To (C30)
- (C265) : Body ground
- (C266) : Oil level switch
- (C268) : Alternator "S, L"
- (C269) : Oil pressure switch (SR20DE)
- (C270) : Starter motor
- (C271) : Diode (LD20-II)
- (C272) : To (C26) (GA16DE)
- (C273) : Engine oil level switch (GA16DE)
- (C274) : Alternator "E" (GA16DE & LD20-II)
- (C275) : Oil pressure switch (GA16DE)
- (C276) : Oil pressure switch (LD20-II)
- (C277) : Alternator "B" (GA16DE & SR20DE)
- (C278) : Alternator "B" (LD20-II)

Sub-harness

- (C201) : To (C4)
- (C203) : Front blower motor
- (C204) : Front fan resistor

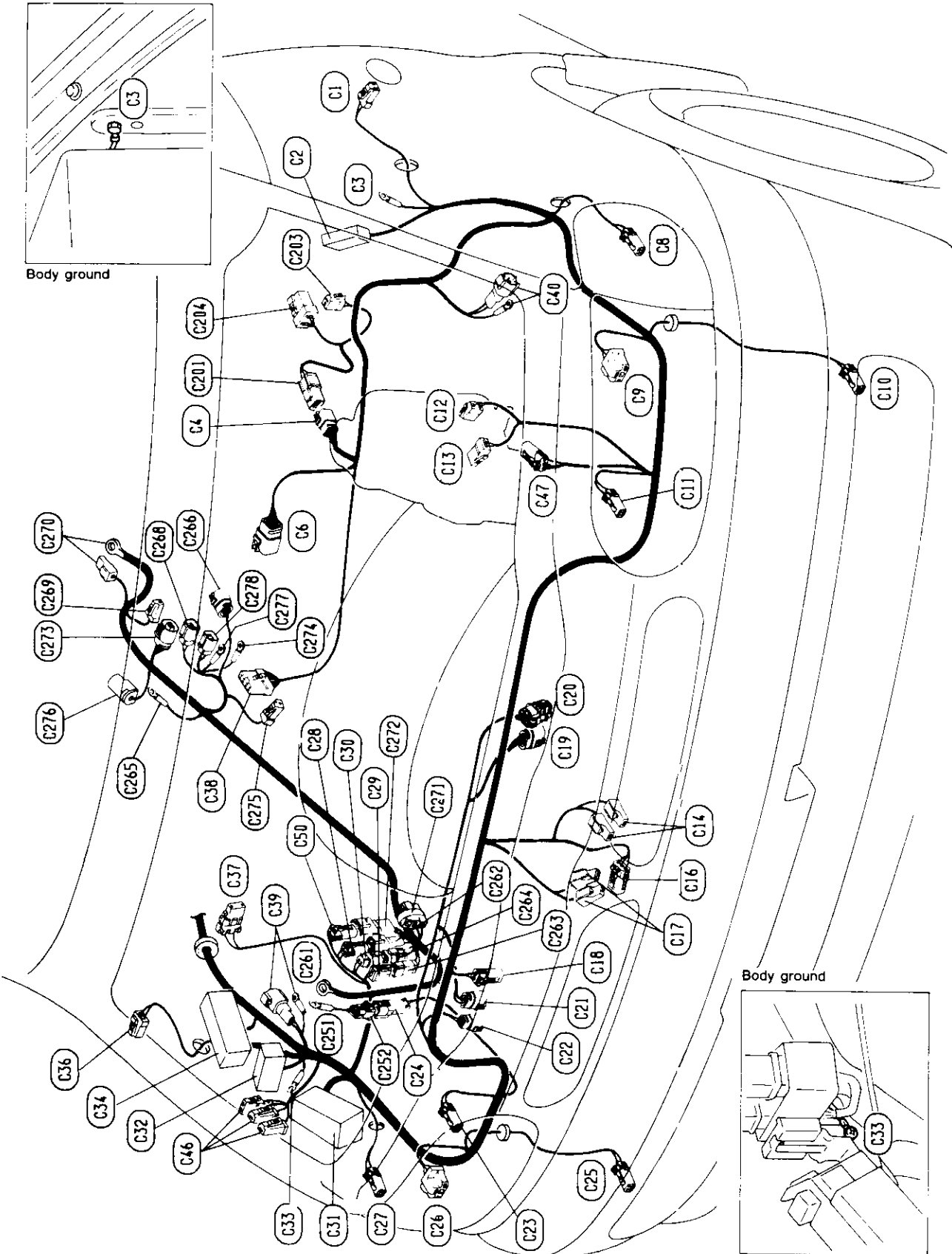
Diode (C271)



HARNESS LAYOUT

Front Compartment Harness — R.H.D. Models

FRONT COMPARTMENT



MEL615B1

HARNES LAYOUT

Front Compartment Harness — R.H.D. Models (Cont'd)

Front compartment harness

- (1) : Side turn signal lamp L.H.
- (2) : Relay box - 3 (Refer to "LOCATION OF ELECTRICAL UNITS")
- (3) : Body ground
- (4) : To (20)
- (5) : Front wiper motor
- (6) : Clearance lamp L.H.
- (7) : Headlamp L.H.
- (8) : Front turn signal lamp L.H.
- (9) : Front fog lamp L.H.
- (10) : Front washer motor
- (11) : Rear washer motor
- (12) : Horn L.H.
- (13) : Ambient switch (SR20DE)
- (14) : Horn R.H.
- (15) : Dual-pressure switch
- (16) : Radiator fan motor - 1
- (17) : Radiator fan motor - 1
- (18) : Radiator fan motor - 2 (SR20DE & LD20-II)
- (19) : Radiator fan motor - 2 (SR20DE & LD20-II)
- (20) : Front fog lamp R.H.
- (21) : To (25)
- (22) : Front turn signal lamp R.H.
- (23) : Headlamp R.H.
- (24) : Clearance lamp R.H.
- (25) : To (26)
- (26) : To (26)
- (27) : To (26)
- (28) : Fusible link and fuse box
- (29) : Relay box - 2 (Refer to "LOCATION OF ELECTRICAL UNITS")
- (30) : Body ground
- (31) : Relay box - 1 (Refer to "LOCATION OF ELECTRICAL UNITS")
- (32) : Side turn signal lamp R.H.
- (33) : Brake fluid level switch
- (34) : Wiper amplifier
- (35) : ABS sensor front R.H. (SR20DE)
- (36) : ABS sensor front L.H. (SR20DE)
- (37) : Glow relay (LD20-II)
- (38) : Thermo switch (LD20-II)
- (39) : To (27) (GA16DE)

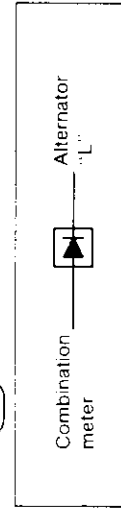
Battery cable

- (20) : Battery
- (21) : To (27)
- (26) : Battery
- (27) : To (28)
- (28) : To (28)
- (29) : To (30)
- (30) : Body ground
- (31) : Oil level switch
- (32) : Alternator "S, L"
- (33) : Oil pressure switch (SR20DE)
- (34) : Starter motor
- (35) : Diode (LD20-II)
- (36) : To "A" (GA16DE)
- (37) : Engine oil level switch (GA16DE)
- (38) : Alternator "E" (GA16DE & LD20-II)
- (39) : Oil pressure switch (GA16DE)
- (40) : Oil pressure switch (LD20-II)
- (41) : Alternator "B" (GA16DE & SR20DE)
- (42) : Alternator "B" (LD20)

Sub-harness

- (21) : To (21)
- (28) : Front blower motor
- (29) : Front fan resistor

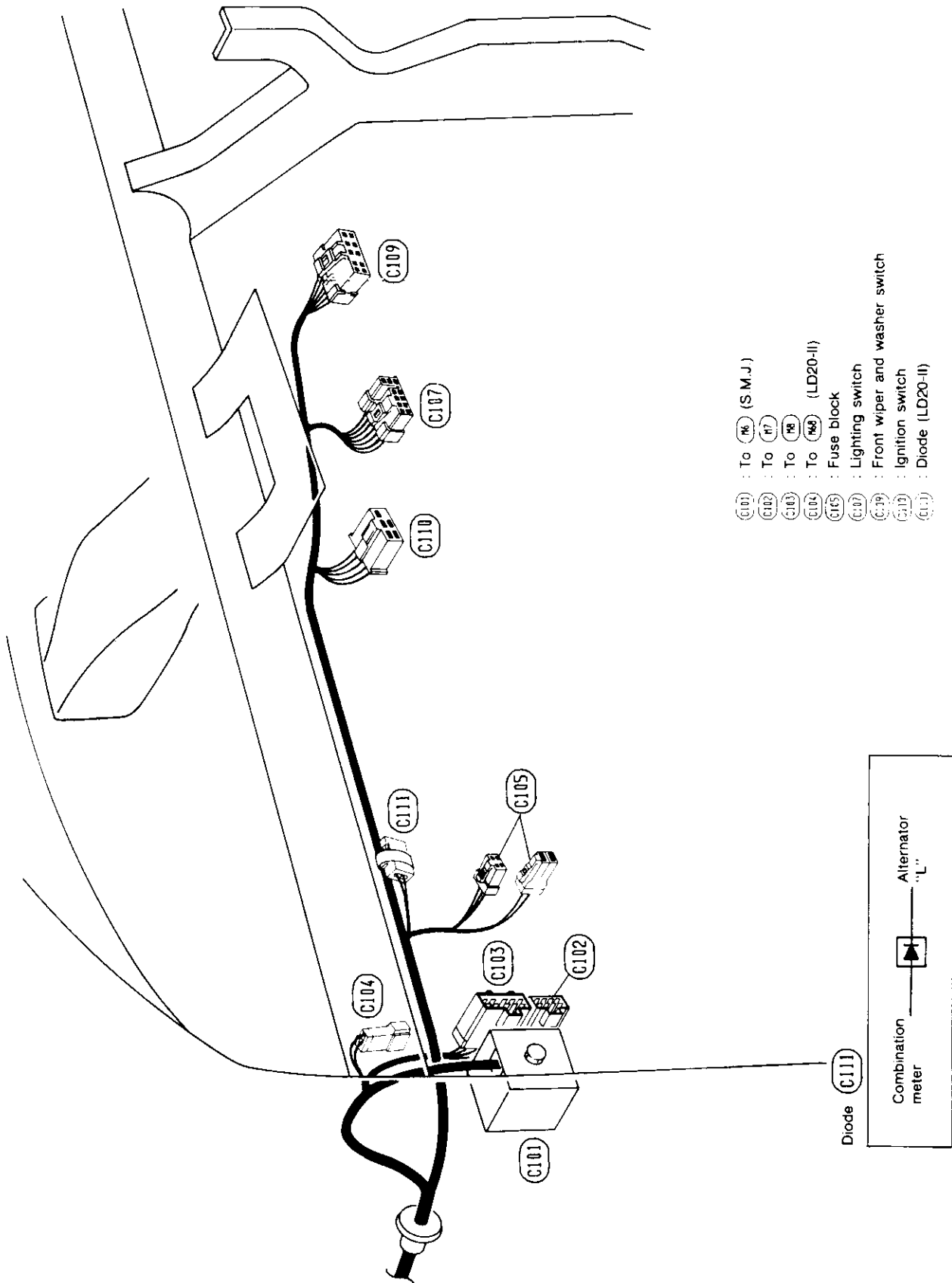
Diode (C27)



HARNESS LAYOUT

Front Compartment Harness — L.H.D. Models

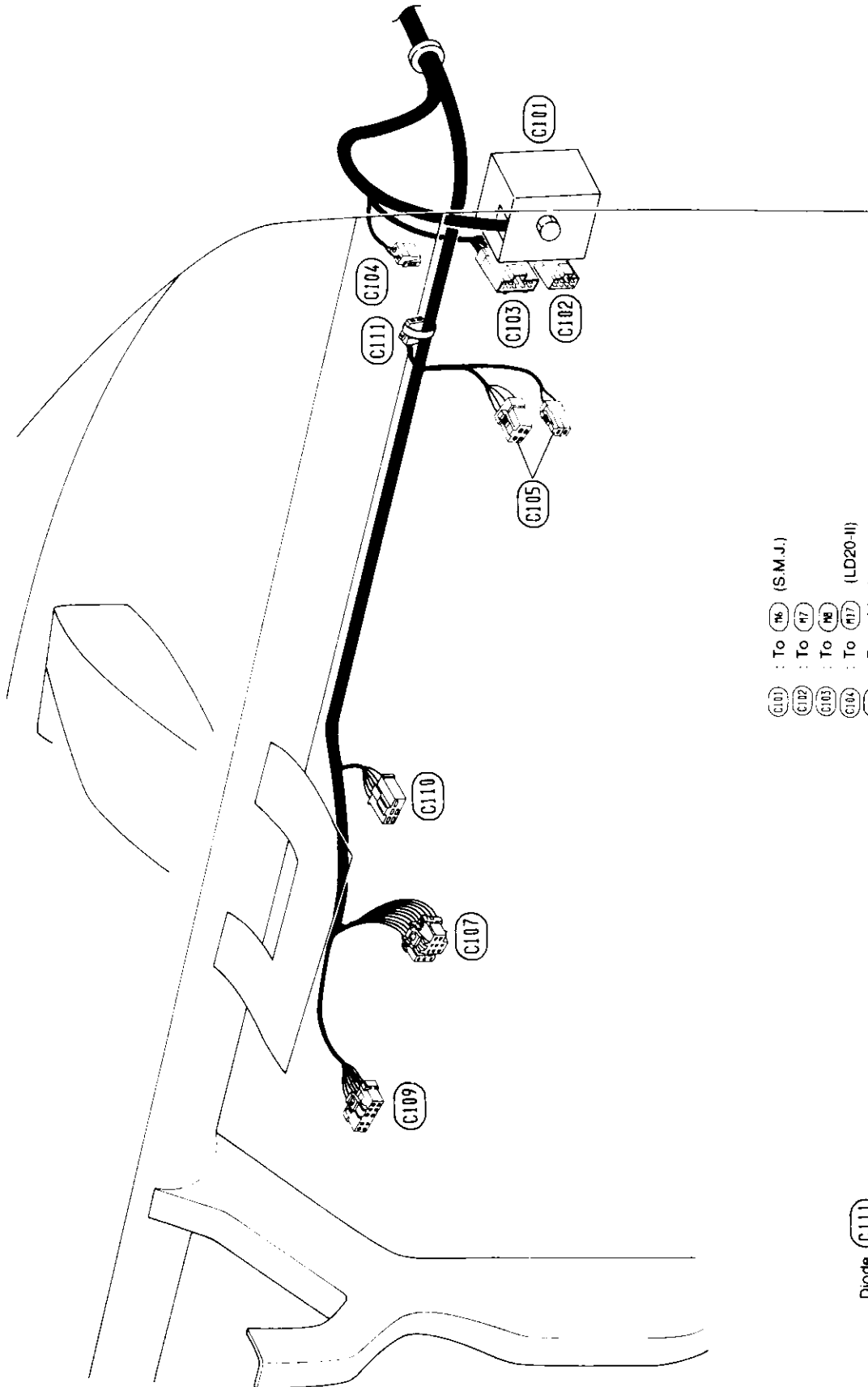
PASSENGER COMPARTMENT



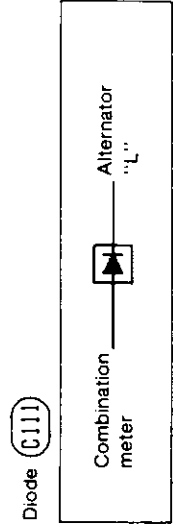
HARNESS LAYOUT

Front Compartment Harness — R.H.D. Models

PASSENGER COMPARTMENT



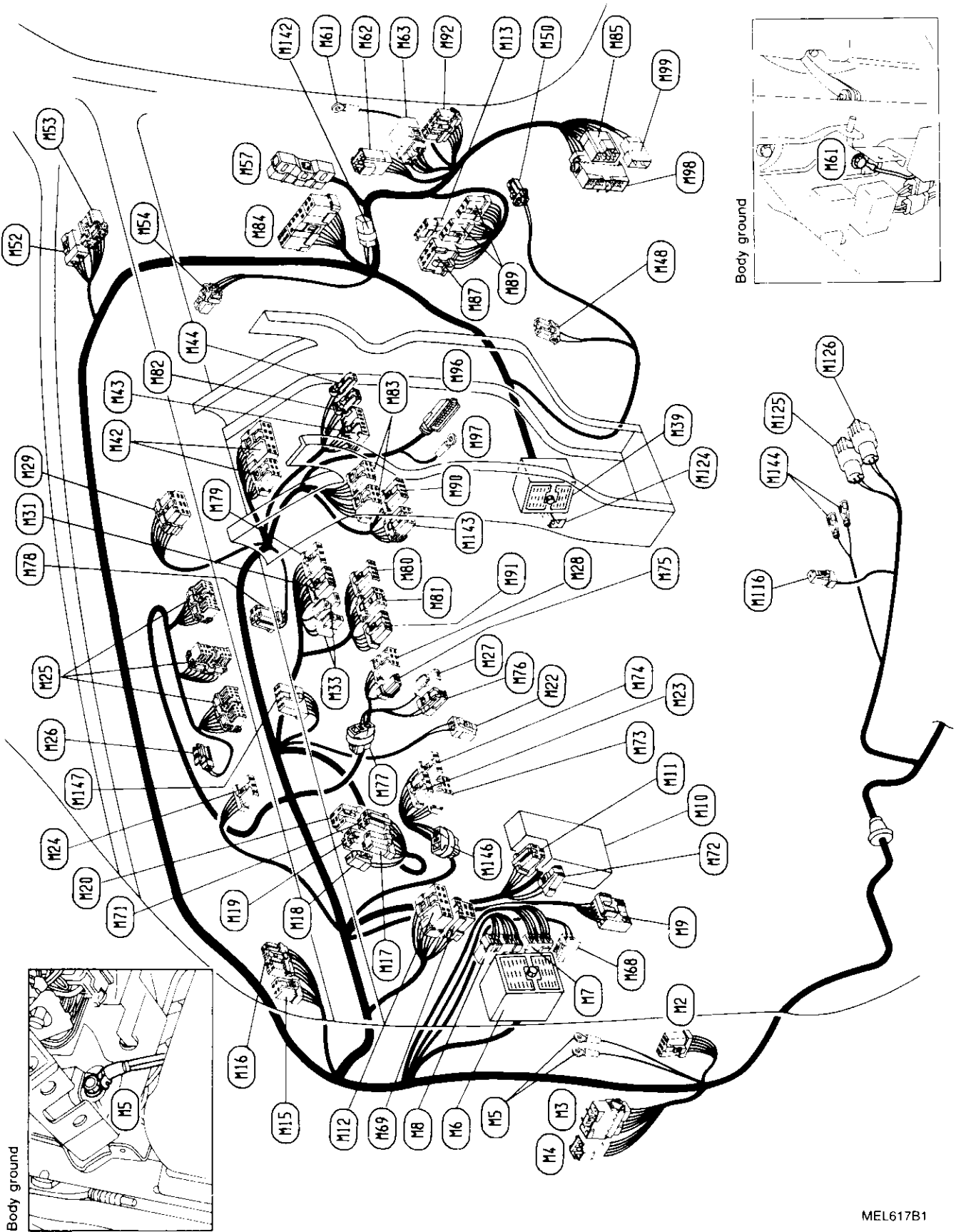
- (C101) : To (F6) (S.M.J.)
- (C102) : To (F7)
- (C103) : To (F8)
- (C104) : To (F17) (LD20-II)
- (C105) : Fuse block
- (C106) : Lighting switch
- (C107) : Front wiper and washer switch
- (C108) : Ignition switch
- (C109) : Diode (LD20-II)



HARNESS LAYOUT

Main Harness — L.H.D. Models

FRONT SIDE

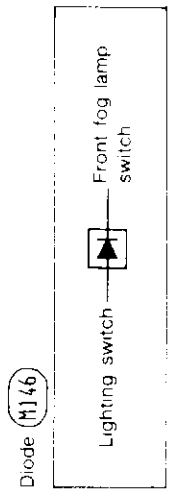
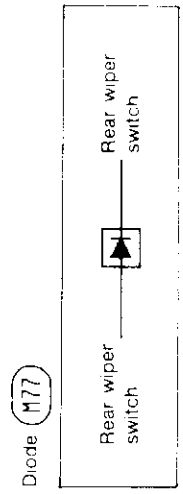
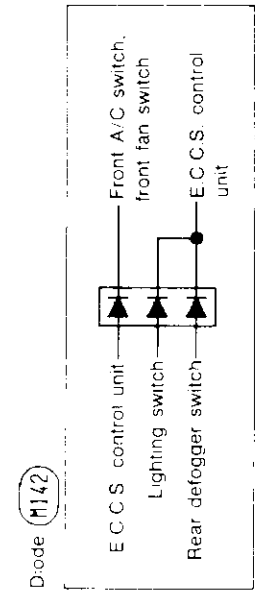


HARNESS LAYOUT

Main Harness — L.H.D. Models (Cont'd)

- (M17) : Fuse box
- (M13) : Rear fog lamp switch
- (M24) : Door lock switch
- (M75) : Combination switch (Rear fog lamp)
- (M76) : Key switch (LD20-II)
- (M77) : Diode
- (M78) : Rear heater relay
- (M79) : Rear heater switch (5-door model)
- (M80) : Rear A/C switch
- (M81) : Illumination control switch (Type A)
- (M82) : Front A/C switch
- (M83) : Seat warm switch
- (M84) : Glow control unit (LD20-II)
- (M85) : To (M17) (GA16DE & LD20-II)
- (M87) : Seat belt unit
- (M88) : Daytime light control unit
- (M89) : Headlamp aiming control switch
- (M90) : Headlamp wiper switch
- (M91) : Engine fan control unit
- (M92) : ABS CONTROL UNIT (SR20DE)
- (M93) : Body ground
- (M94) : To (M17) (SR20DE)
- (M95) : To (M17) (SR20DE)
- (M96) : Rear fog lamp relay (Type B)
- (M97) : To (M17) (LD20-II)
- (M98) : Illumination control switch (Type B)
- (M99) : F.I.C.D. solenoid valve (LD20-II)
- (M100) : Diode
- (M101) : Rear wiper amplifier

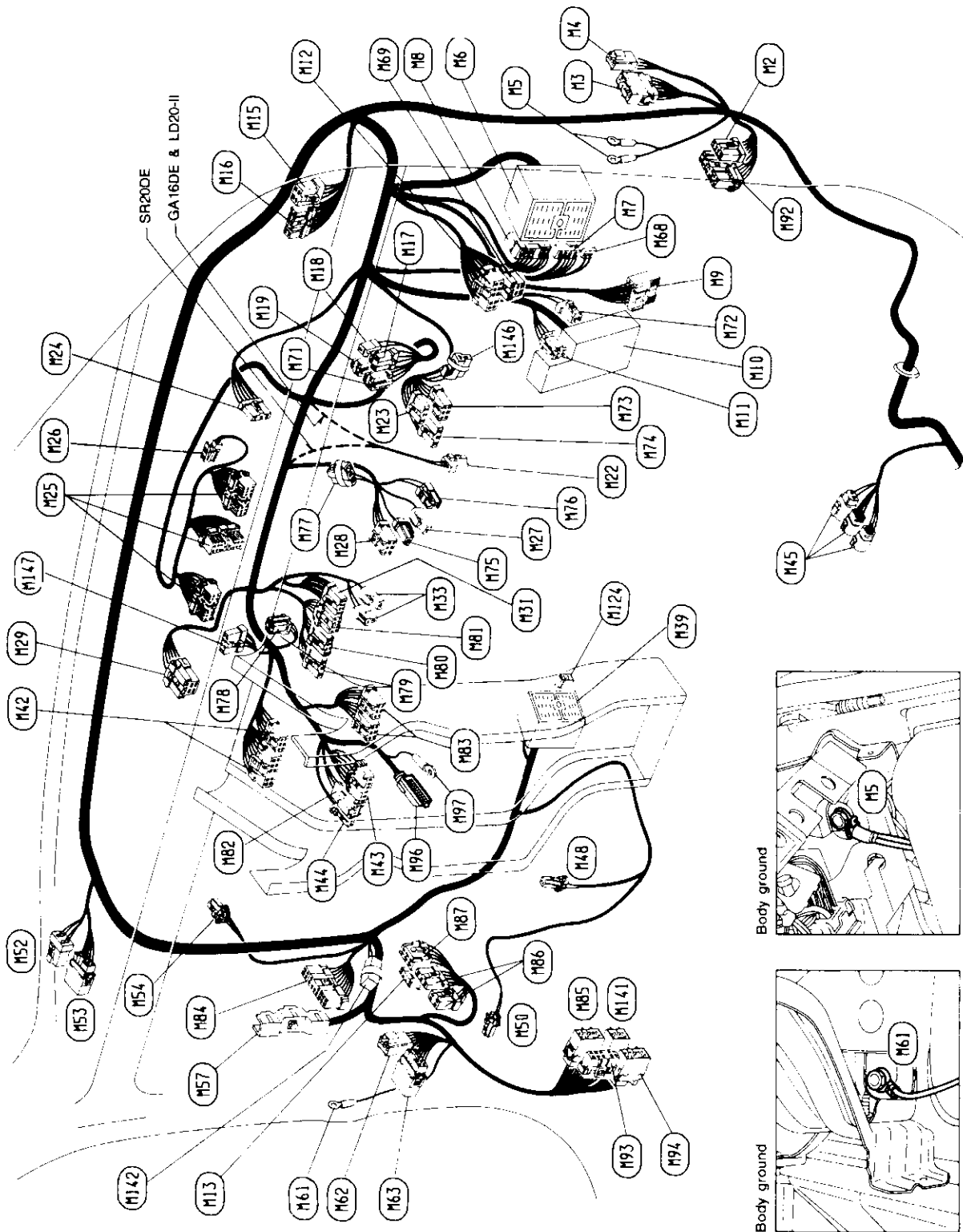
- (M102) : Door lock timer
- (M103) : To (M102)
- (M104) : To (M102)
- (M105) : Body ground
- (M106) : To (M105) (S.M.J.)
- (M107) : To (M102)
- (M108) : To (M103)
- (M109) : Diagnostic connector for CONSULT (SR20DE & GA16DE)
- (M110) : Fuse block
- (M111) : Accessory relay-3
- (M112) : Door mirror switch
- (M113) : Engine oil level unit
- (M114) : To (M113) (with sun roof)
- (M115) : To (M113) (with sun roof)
- (M116) : Combination flasher unit
- (M117) : Circuit breaker
- (M118) : Ignition relay-2
- (M119) : Stop lamp switch
- (M120) : Front fog lamp switch
- (M121) : Rear window defogger switch
- (M122) : Combination meter
- (M123) : Buzzer
- (M124) : Horn switch
- (M125) : Rear wiper switch
- (M126) : Hazard switch
- (M127) : Rear heater switch (4-door model)
- (M128) : Cigarette lighter
- (M129) : To (M128) (S.M.J.)
- (M130) : Radio
- (M131) : Front fan switch
- (M132) : Front fan switch illumination
- (M133) : Neutral switch (SR20DE & GA16DE)
- (M134) : Ashtray illumination
- (M135) : To (M134)
- (M136) : To (M134)
- (M137) : Thermo control amplifier
- (M138) : E.C.C.S. control unit (SR20DE & GA16DE)
- (M139) : Engine control unit (LD20-II)
- (M140) : Body ground
- (M141) : To (M140)
- (M142) : To (M140) (LD20-II)
- (M143) : Door mirror defogger switch (GA16DE & LD20-II)
- (M144) : Rear fog lamp relay (Type A)



HARNESS LAYOUT

Main Harness — R.H.D. Models

FRONT SIDE

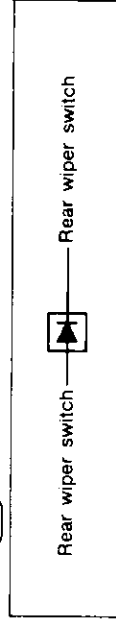


HARNES LAYOUT

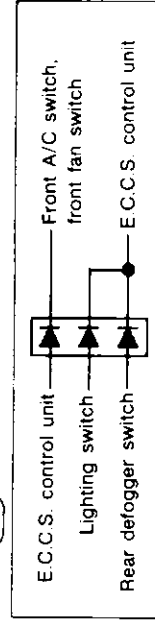
Main Harness — R.H.D. Models (Cont'd)

- (M15) : Combination switch (Rear fog lamp)
- (M16) : Key switch (LD20-II)
- (M17) : Diode
- (M18) : Rear heater relay
- (M19) : Rear heater switch (5-door model)
- (M20) : Rear A/C switch
- (M21) : Illumination control switch
- (M22) : Front A/C switch
- (M23) : Seat warm switch
- (M24) : Glow control unit (LD20-II)
- (M25) : To (E117) (GA16DE & LD20-II)
- (M26) : Dim-dip control unit
- (M27) : Seat belt unit
- (M28) : Engine fan control unit
- (M29) : To (E116)
- (M30) : To (E115)
- (M31) : ABS actuator (SR20DE)
- (M32) : ABS control unit (RS20DE)
- (M33) : Body ground
- (M34) : To (E31) (LD20-II)
- (M35) : To (E118) (GA16DE)
- (M36) : Diode (GA16DE)
- (M37) : Diode
- (M38) : Rear wiper amplifier

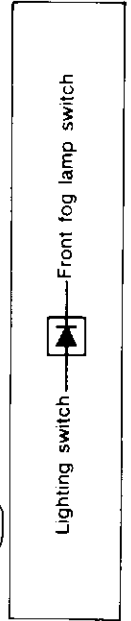
Diode (M77)



Diode (M142)



Diode (M149)

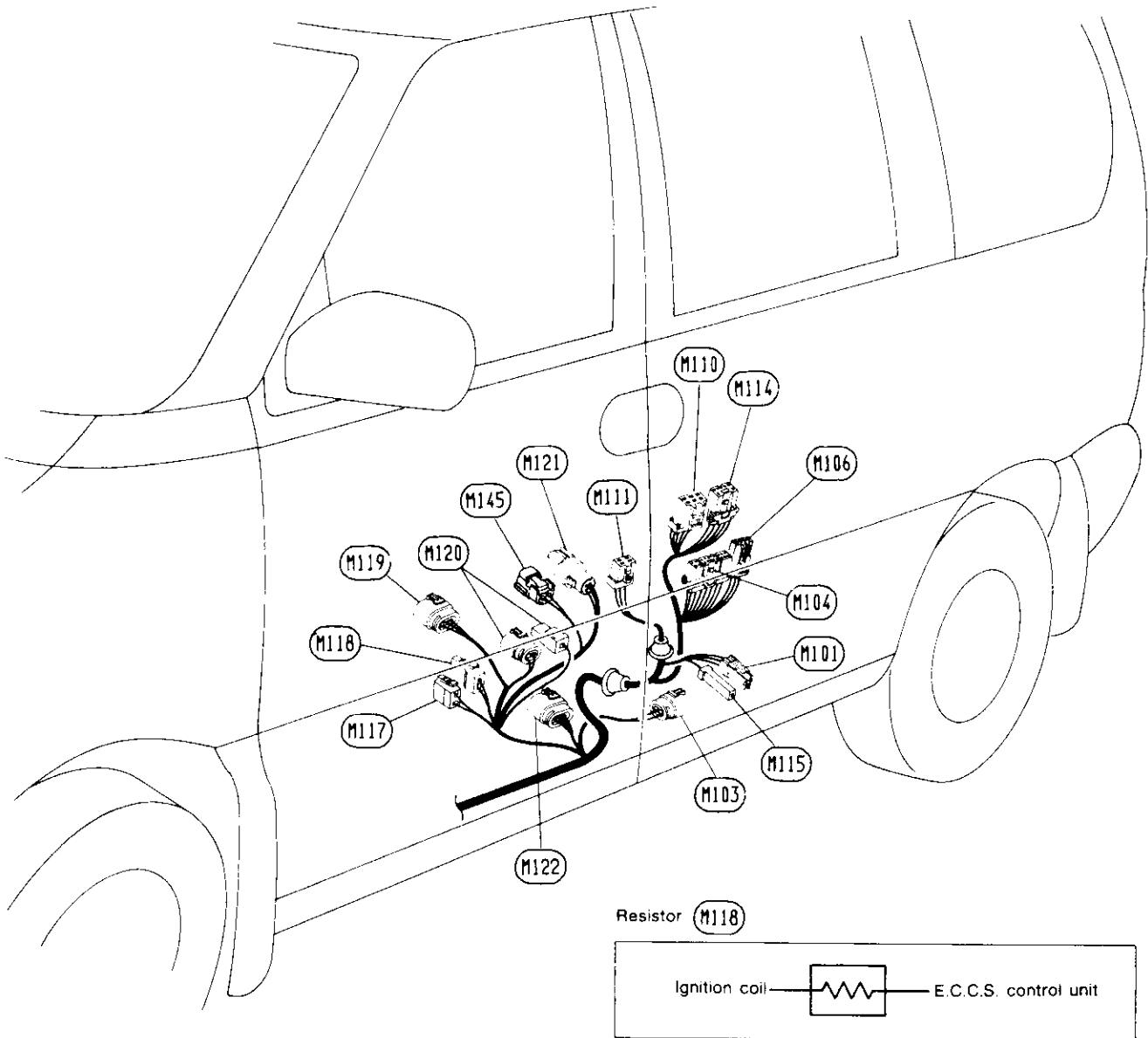


- (M2) : Door lock timer
- (M3) : To (O6)
- (M4) : To (O2)
- (M5) : Body ground
- (M6) : To (C10) (S.M.J.)
- (M7) : To (C102)
- (M8) : To (C113)
- (M9) : Diagnostic connector for CONSULT (SR20DE & GA16DE)
- (M10) : Fuse block
- (M11) : Accessory relay-3
- (M12) : Door mirror switch
- (M13) : Engine oil level unit
- (M14) : To (S1) (with sun roof)
- (M15) : To (S2) (with sun roof)
- (M16) : Combination flasher unit
- (M17) : Circuit breaker
- (M18) : Ignition relay-2
- (M19) : Stop lamp switch
- (M20) : Front fog lamp switch
- (M21) : Rear window defogger switch
- (M22) : Combination meter
- (M23) : Buzzer
- (M24) : Horn switch
- (M25) : Rear wiper switch
- (M26) : Hazard switch
- (M27) : Rear heater switch (4-door model)
- (M28) : Cigarette lighter
- (M29) : To (E1) (S.M.J.)
- (M30) : Radio
- (M31) : Front fan switch
- (M32) : Front fan switch illumination
- (M33) : Neutral switch (SR20DE & GA16DE)
- (M34) : Ashtray illumination
- (M35) : To (R1)
- (M36) : To (R2)
- (M37) : Thermo control amplifier (GA16DE & LD20-II)
- (M38) : E.C.C.S. control unit (SR20DE & GA16DE), Engine control unit (LD20-II)
- (M39) : Body ground
- (M40) : To (O81)
- (M41) : To (O82)
- (M42) : To (C114) (LD20-II)
- (M43) : Door mirror defogger switch (GA16DE & LD20-II)
- (M44) : Rear fog lamp relay
- (M45) : Fuse box
- (M46) : Rear fog lamp switch
- (M47) : Door lock switch

HARNES LAYOUT

Main Harness — L.H.D. Models

REAR SIDE

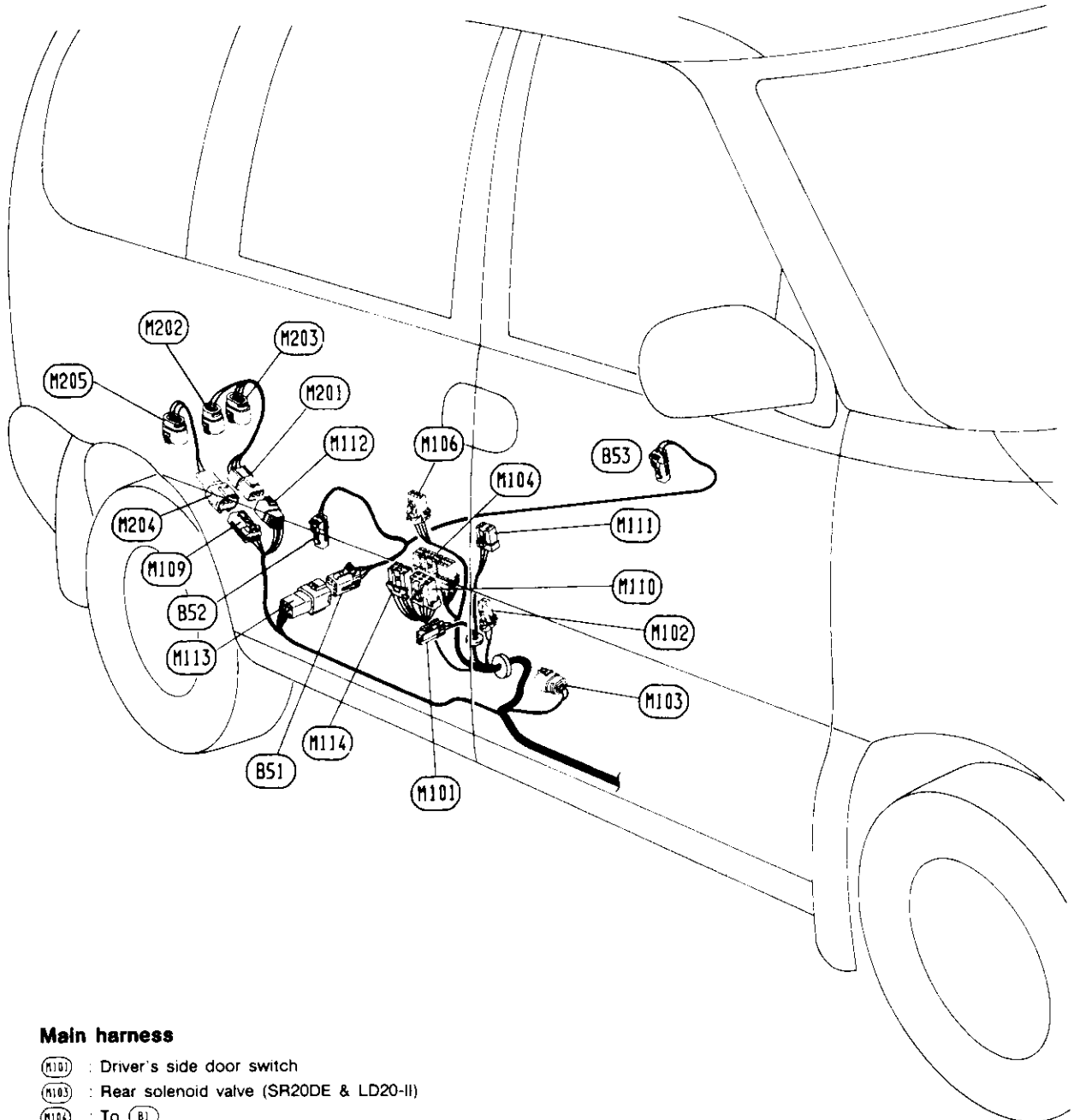


- (M101) : Driver's side door switch (Type A)
- (M103) : Rear solenoid valve (SR20DE & LD20-II)
- (M104) : To (B1)
- (M106) : To (B3)
- (M118) : To (B21)
- (M111) : Slide door connector (5-door)
- (M114) : To (B20) (SR20DE)
- (M115) : Driver's side door switch (Type B)
- (M117) : Radio condenser (SR20DE & GA16DE)
- (M118) : Resistor (SR20DE & GA16DE)
- (M119) : Power transistor (SR20DE & GA16DE)
- (M121) : Ignition coil (SR20DE)
- (M122) : Air flow meter (SR20DE & GA16DE)
- (M122) : Exhaust gas sensor (SR20DE)
- (M145) : Ignition coil (GA16DE)

HARNES LAYOUT

Main Harness — R.H.D. Models

REAR SIDE



Main harness

- (M101) : Driver's side door switch
- (M103) : Rear solenoid valve (SR20DE & LD20-II)
- (M104) : To (B1)
- (M106) : To (B3)
- (M107) : To (M204) (LD20-II)
- (M110) : To (B21)
- (M111) : Slide door connector (5-door)
- (M112) : To (M201) (SR20DE & GA16DE)
- (M113) : To (B51) (SR20DE)
- (M114) : To (B20) (SR20DE)

Sub-harness

- (M201) : To (M112) (SR20DE & GA16DE)
- (M202) : Fuel pump (SR20DE & GA16DE)
- (M203) : Fuel tank gauge unit (SR20DE & GA16DE)
- (M204) : To (M204) (LD20-II)
- (M205) : Fuel tank gauge unit (LD20-II)

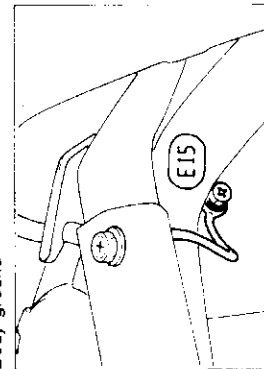
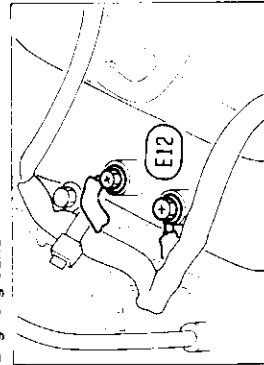
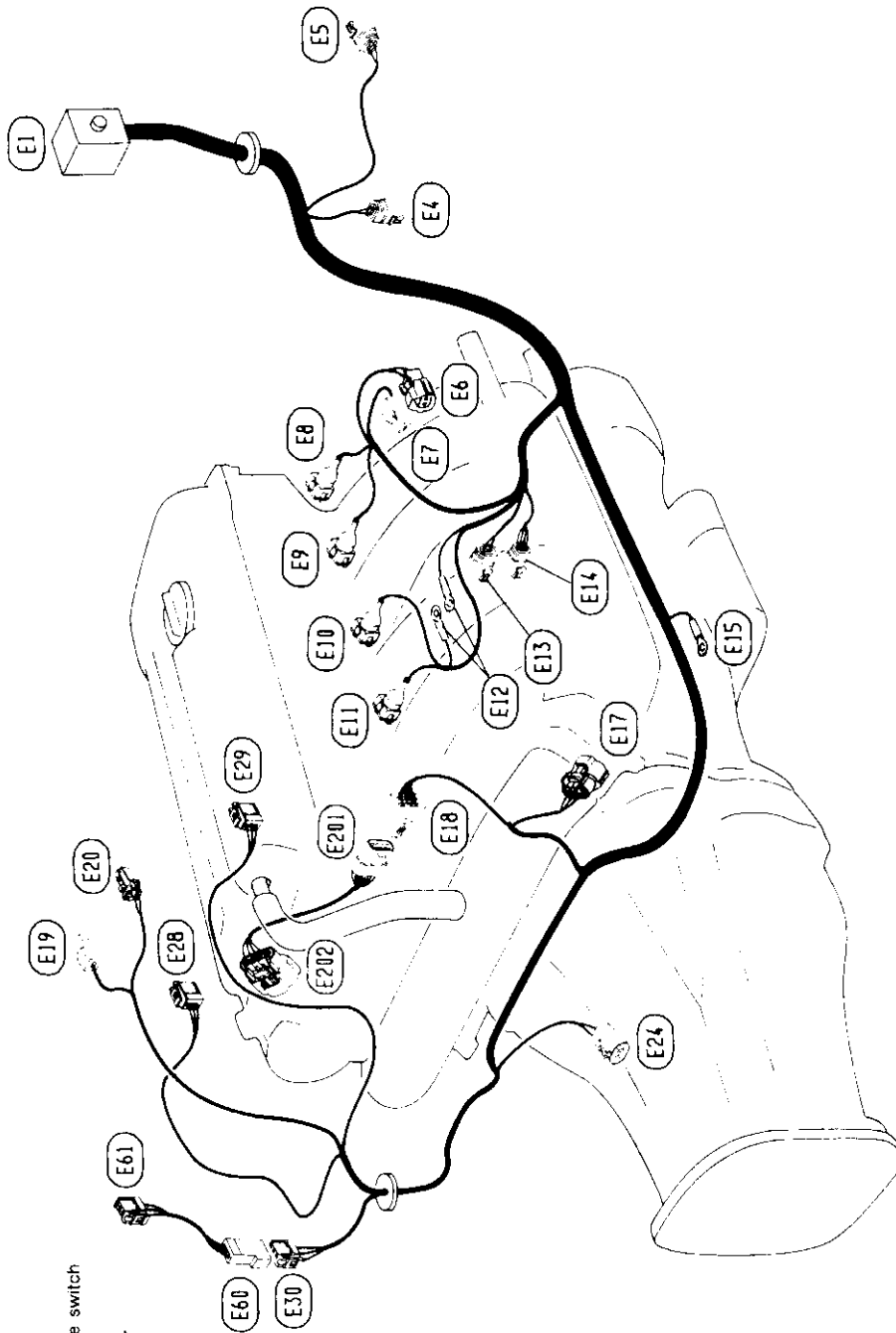
Sub-harness (5-door model with SR20DE)

- (B51) : To (M113)
- (B52) : Rear wheel sensor R.H. (ABS)
- (B53) : Rear wheel sensor L.H. (ABS)

HARNESS LAYOUT

Engine Room Harness

SR20DE ENGINE

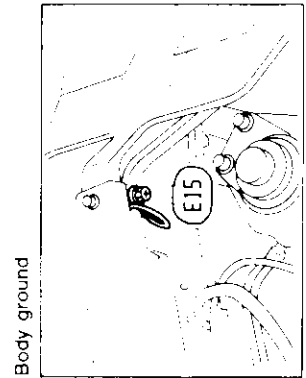
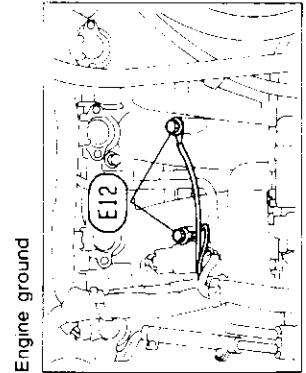
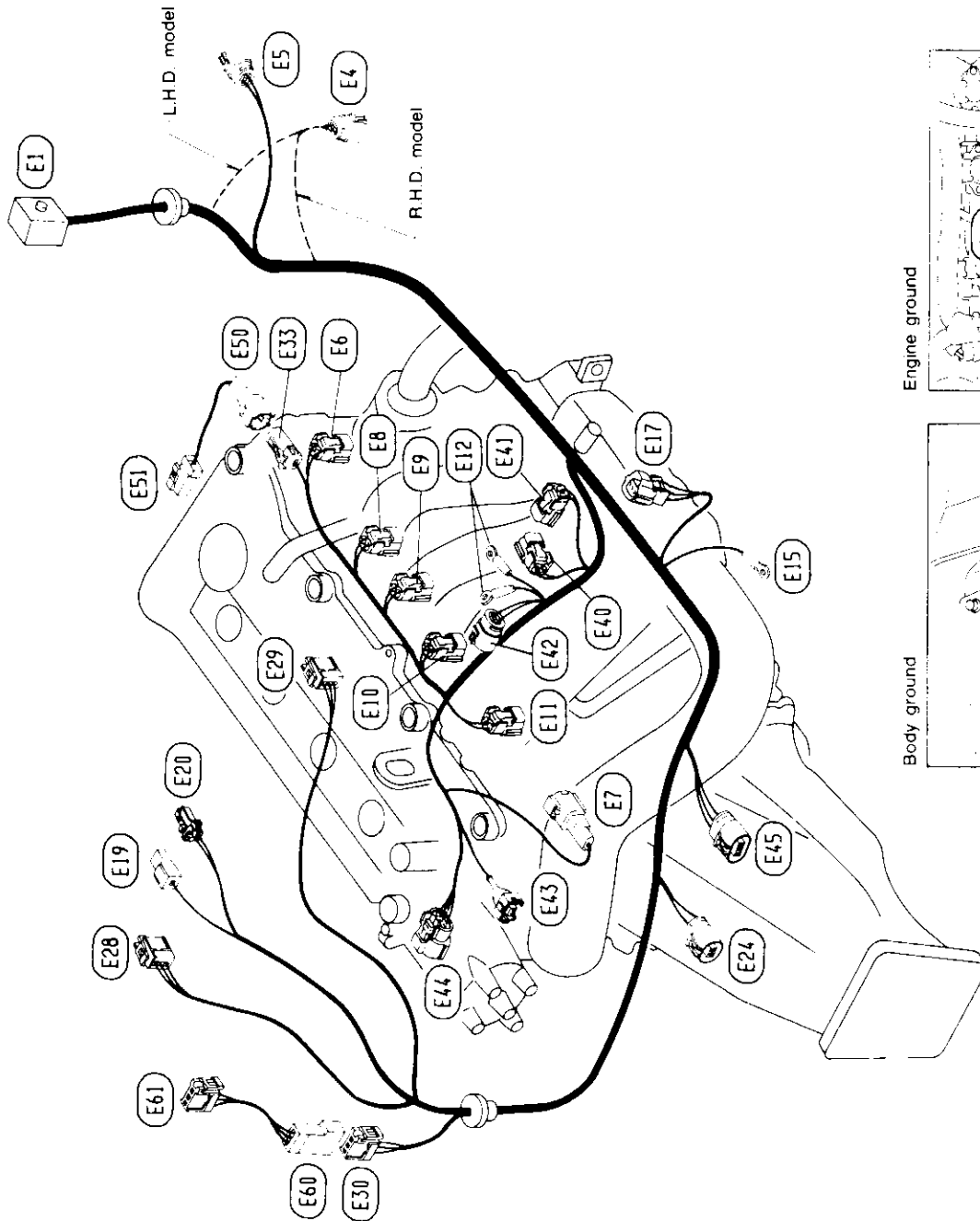


- (E1) : To (M39) (S.M.J.)
 - (E4) : Power steering oil pressure switch
 - (E5) : Engine room fan motor
 - (E6) : Engine temperature sensor
 - (E7) : Thermal transmitter
 - (E8) : Injector No. 1
 - (E9) : Injector No. 2
 - (E10) : Injector No. 3
 - (E11) : Injector No. 4
 - (E12) : Engine ground
 - (E13) : To detonation sensor
 - (E14) : sub-harness
 - (E14) : A.A.C. valve - F.I.C.D. solenoid valve
 - (E15) : Body ground
 - (E17) : Throttle sensor
 - (E18) : To (E20)
 - (E19) : Parking brake switch
 - (E20) : Engine room temperature sensor
 - (E24) : Back-up lamp switch
 - (E28) : Seat warmer L.H.
 - (E29) : Seat warmer R.H.
 - (E30) : To (E61)
- Sub-harness**
- (E60) : To (E30)
 - (E61) : Rear blower motor
 - (E20) : To (E18)
 - (E20) : Crank angle sensor

HARNESS LAYOUT

Engine Room Harness (Cont'd)

GA16DE ENGINE



- (E1) : To (E19) (S.M.J.)
- (E2) : Power steering oil pressure switch
- (E3) : Engine room fan motor
- (E4) : Engine temperature sensor
- (E5) : Thermal transmitter
- (E6) : Injector No. 1
- (E7) : Injector No. 2
- (E8) : Injector No. 3
- (E9) : Injector No. 4
- (E10) : Engine ground
- (E11) : Body ground
- (E12) : Throttle sensor
- (E13) : Parking brake switch
- (E14) : Engine room temperature sensor
- (E15) : Back-up lamp switch
- (E16) : Seat warmer L.H.
- (E17) : Seat warmer R.H.
- (E18) : To (E6)
- (E19) : To (E30)
- (E20) : F.I.C.D. solenoid valve
- (E21) : I.S.C. solenoid valve
- (E22) : Air regulator valve
- (E23) : E.G.R. cut solenoid valve
- (E24) : Crank angle sensor
- (E25) : Exhaust gas sensor

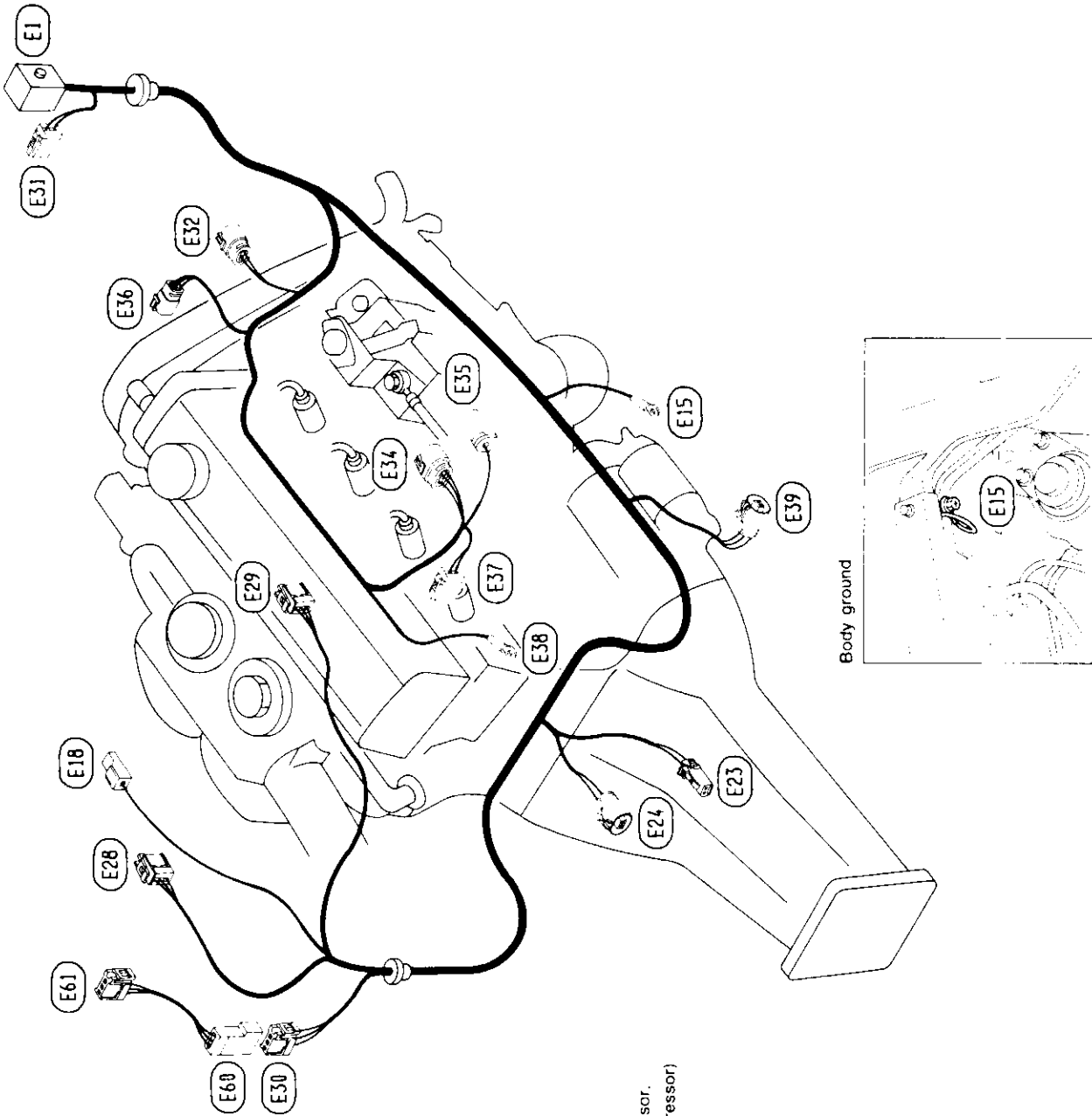
Sub-harness

- (E46) : To (E11)
- (E47) : A/C compressor
- (E48) : To (E10)
- (E49) : Rear blower motor

HARNESS LAYOUT

Engine Room Harness (Cont'd)

LD2011 ENGINE



- (E1) : To (51) (S.M.J.)
- (E5) : Body ground
- (E19) : Parking brake switch
- (E23) : Vehicle speed sensor
- (E24) : Back-up lamp switch
- (E28) : Seat warmer L.H.
- (E29) : Seat warmer R.H.
- (E30) : To (59)
- (E31) : To (72)
- (E32) : Engine revolution sensor
- (E33) : To (51)
- (E34) : Injection pump
- (E35) : Fuel cut solenoid (EGR)
- (E36) : To Sub-harness (Engine temp. sensor, thermal transmitter and A/C compressor)
- (E37) : Glow plug
- (E38) : Engine ground
- (E39) : Fuel filter

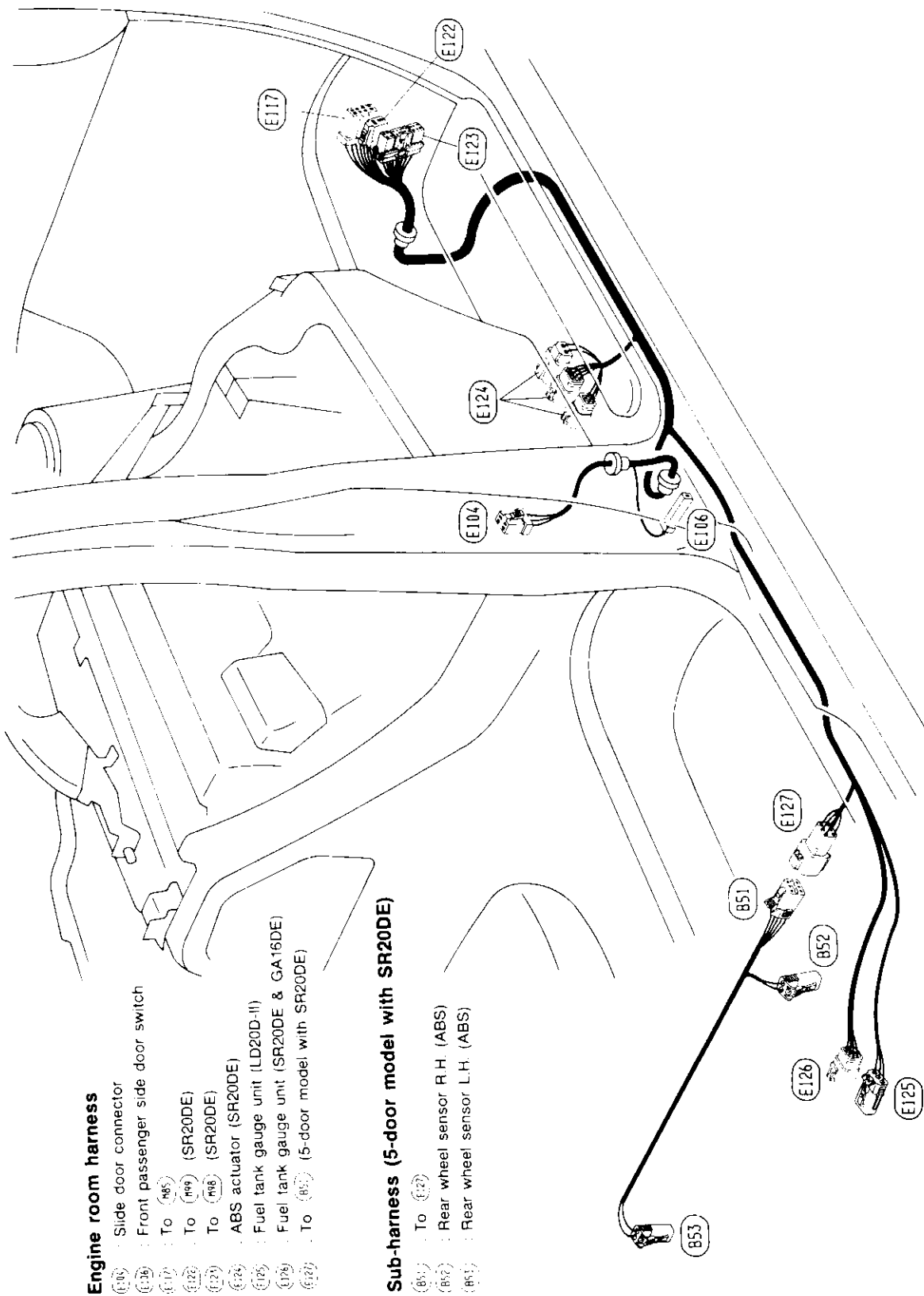
Sub-harness

- (E60) : To (E31)
- (E61) : Rear blower motor

HARNES LAYOUT

Engine Room Harness No. 2

L.H.D. MODELS



Engine room harness

- (E104) : Slide door connector
- (E106) : Front passenger side door switch
- (E107) : To (B51)
- (E122) : To (B52) (SR20DE)
- (E123) : To (B52) (SR20DE)
- (E124) : ABS actuator (SR20DE)
- (E125) : Fuel tank gauge unit (LD20D-II)
- (E126) : Fuel tank gauge unit (SR20DE & GA16DE)
- (E127) : To (B51) (5-door model with SR20DE)

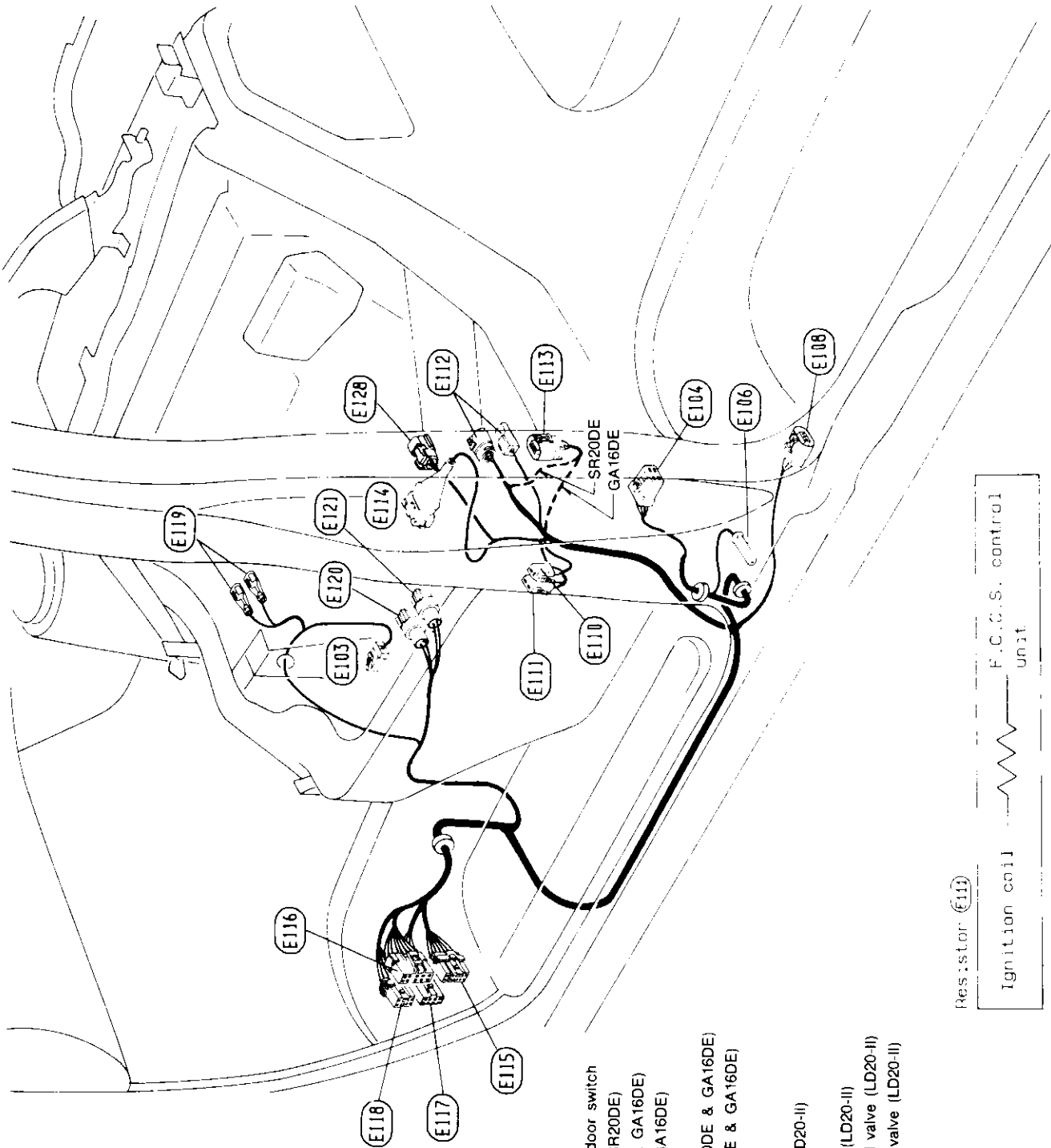
Sub-harness (5-door model with SR20DE)

- (B51) : To (E122)
- (B52) : Rear wheel sensor R.H. (ABS)
- (B53) : Rear wheel sensor L.H. (ABS)

HARNESS LAYOUT

Engine Room Harness No. 2 (Cont'd)

R.H.D. MODELS



- (E103) : Compressor (SR20DE)
- (E104) : Slide door connector
- (E106) : Front passenger side door switch
- (E108) : Exhaust gas sensor (SR20DE)
- (E110) : Condenser (SR20DE & GA16DE)
- (E111) : Resistor (SR20DE & GA16DE)
- (E112) : Ignition coil (SR20DE)
- (E113) : Power transistor (SR20DE & GA16DE)
- (E114) : Air flow meter (SR20DE & GA16DE)
- (E115) : To (R1) (SR20DE)
- (E116) : To (R2) (SR20DE)
- (E117) : To (R3) (SR20DE)
- (E118) : To (R4) (SR20DE)
- (E119) : F.I.C.D. solenoid valve (LD20-II)
- (E120) : E.G.R. control solenoid valve (LD20-II)
- (E121) : Timer control solenoid valve (LD20-II)
- (E128) : Ignition coil (GA16DE)

Resistor (E119)

Ignition coil

F.C.C.S. control unit

MEL625B

HARNESS LAYOUT

Front Door Harness — L.H.D. Models

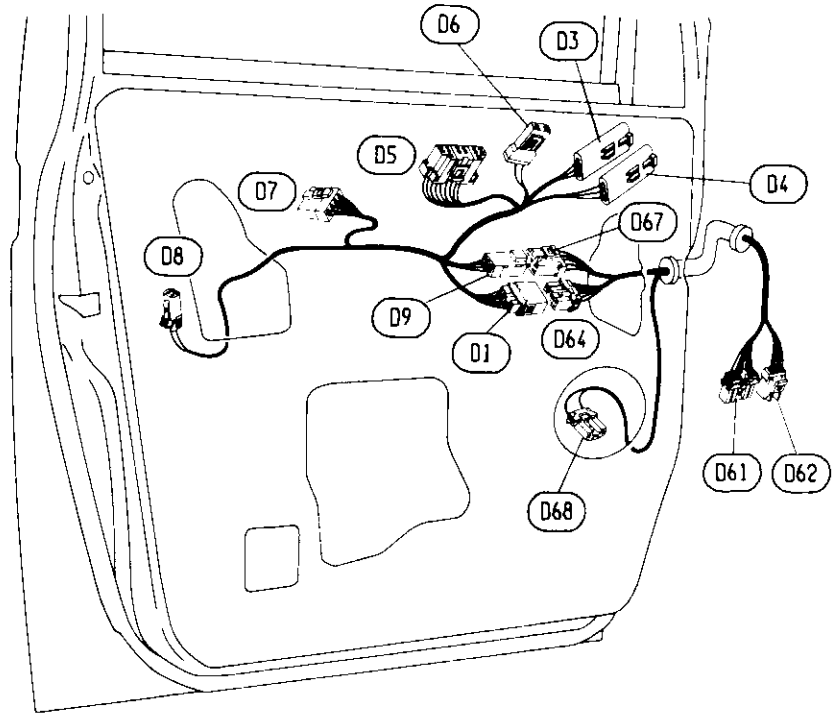
L.H. SIDE

Front door harness

- (D1) : To (D6)
- (D3) : Door mirror
- (D4) : Door mirror defogger
- (D5) : Power window main switch
- (D6) : Power window regulator
- (D7) : Power window amplifier
- (D8) : Lock knob switch
- (D9) : To (D67)

Front door sub-harness

- (D61) : To (H3)
- (D62) : To (H4)
- (D64) : To (D1)
- (D67) : To (D9)
- (D68) : Door speaker



MEL630B

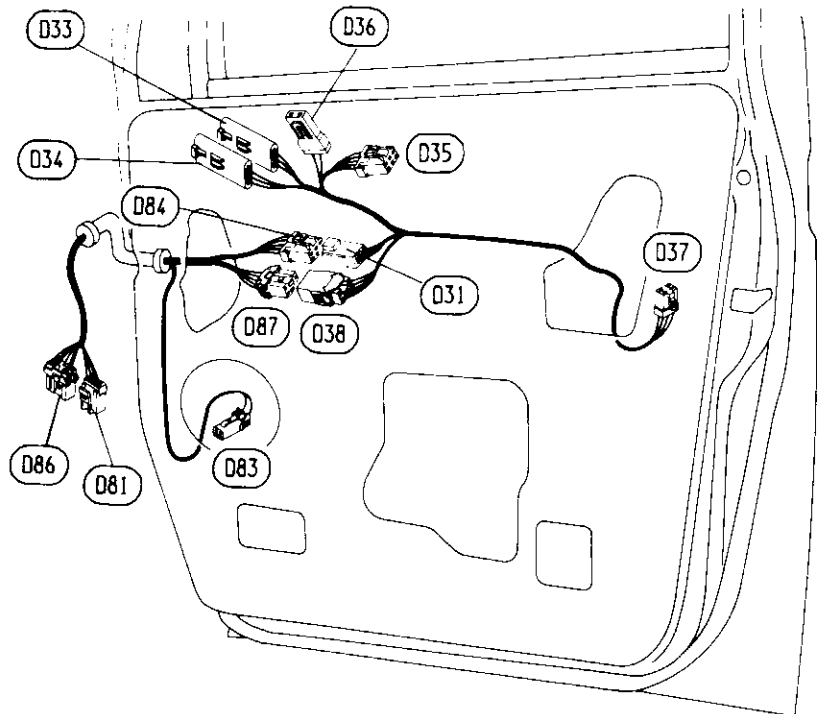
R.H. SIDE

Front door harness

- (D31) : To (D84)
- (D33) : Door mirror
- (D34) : Door mirror defogger
- (D35) : Power window sub-switch
- (D36) : Power window regulator
- (D37) : Door lock actuator
- (D38) : To (D87)

Front door sub-harness

- (D81) : To (M62)
- (D83) : Door speaker
- (D84) : To (D31)
- (D86) : To (M63)
- (D87) : To (D38)



MEL631B

HARNESS LAYOUT

Front Door Harness — R.H.D. Models

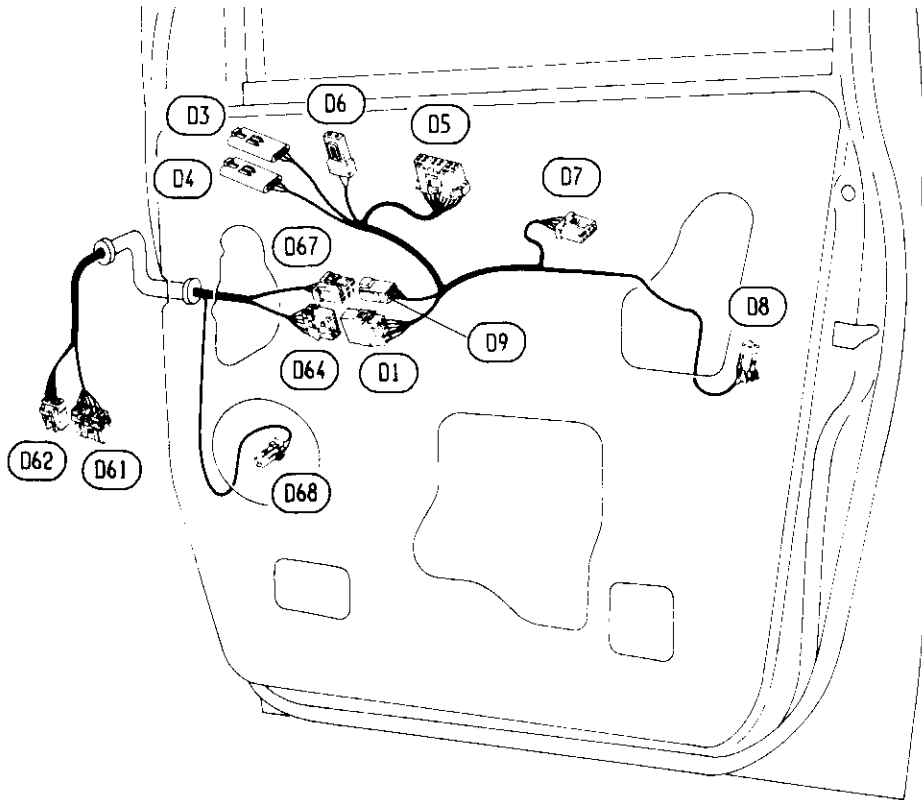
R.H. SIDE

Front door harness

- (D1) : To (D64)
- (D3) : Door mirror
- (D4) : Door mirror defogger
- (D5) : Power window main switch
- (D6) : Power window regulator
- (D7) : Power window amplifier
- (D8) : Lock knob switch
- (D9) : To (D67)

Front door sub-harness

- (D61) : To (M3)
- (D62) : To (M4)
- (D64) : To (D1)
- (D67) : To (D9)
- (D68) : Door speaker



MEL632B

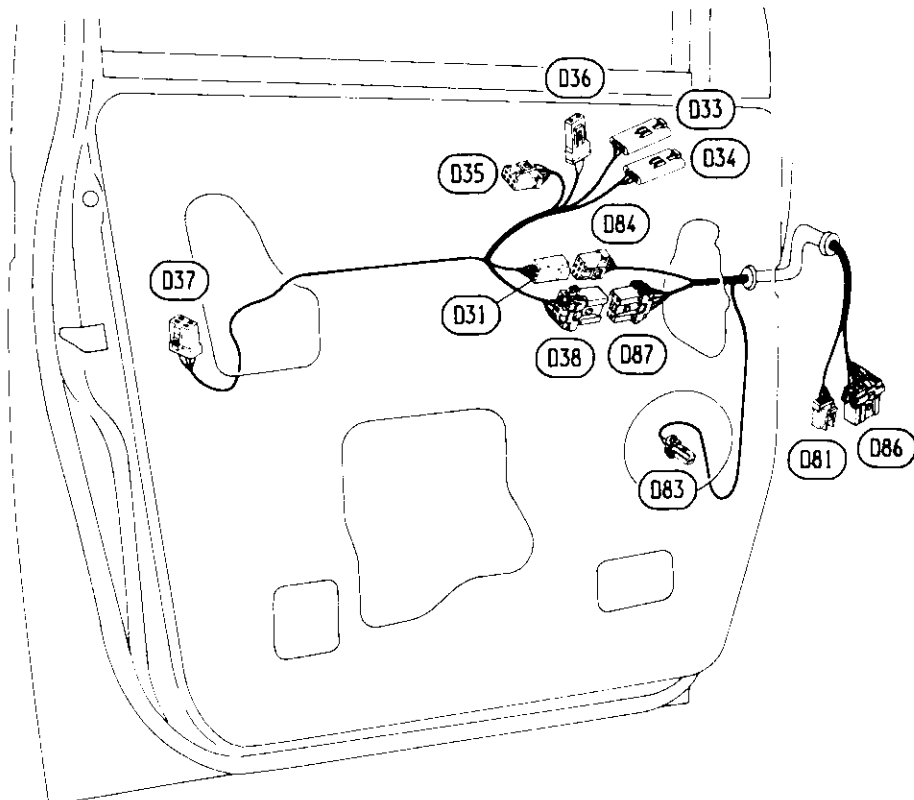
L.H. SIDE

Front door harness

- (D31) : To (D84)
- (D33) : Door mirror
- (D34) : Door mirror defogger
- (D35) : Power window sub-switch
- (D36) : Power window regulator
- (D37) : Door lock actuator
- (D38) : To (D87)

Front door sub-harness

- (D81) : To (D82)
- (D83) : Door speaker
- (D84) : To (D31)
- (D86) : To (M63)
- (D87) : To (D38)



MEL633B

HARNES LAYOUT

NOTE

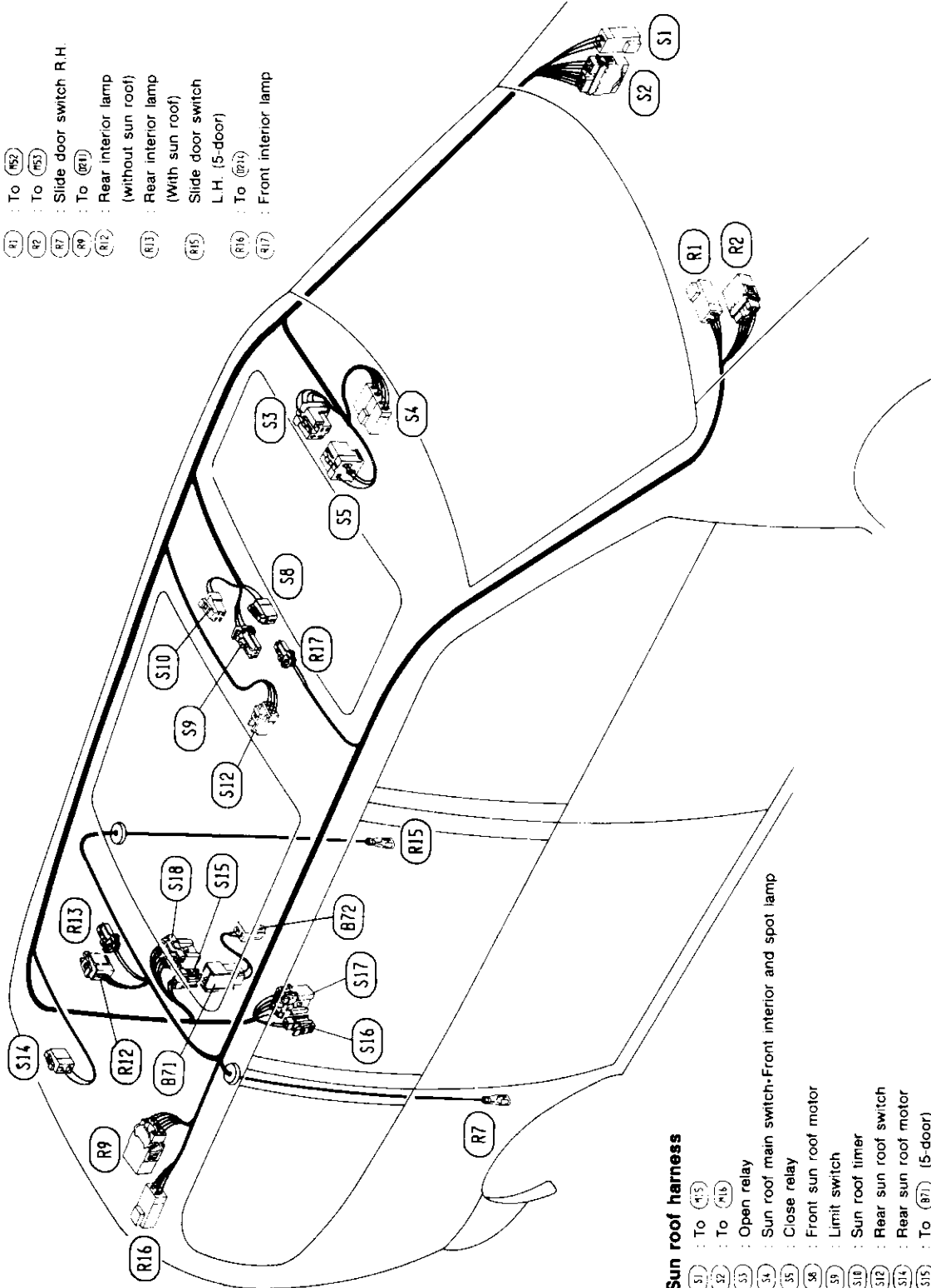
HARNES LAYOUT

Room Lamp and Sun Roof Harness

L.H.D. MODEL

Room lamp harness

- (R1) : To (452)
- (R2) : To (453)
- (R7) : Slide door switch R.H.
- (R9) : To (671)
- (R12) : Rear interior lamp (without sun roof)
- (R13) : Rear interior lamp (With sun roof)
- (R15) : Slide door switch L.H. (5-door)
- (R16) : To (671)
- (R17) : Front interior lamp



Sun roof harness

- (S1) : To (415)
- (S2) : To (416)
- (S3) : Open relay
- (S4) : Sun roof main switch-Front interior and spot lamp
- (S5) : Close relay
- (S8) : Front sun roof motor
- (S9) : Limit switch
- (S10) : Sun roof timer
- (S12) : Rear sun roof switch
- (S14) : Rear sun roof motor
- (S15) : To (871) (5-door)
- (S16) : To (73) (5-door)
- (S17) : To (11) (5-door)
- (S18) : Rear combination lamp L.H. (5-door)

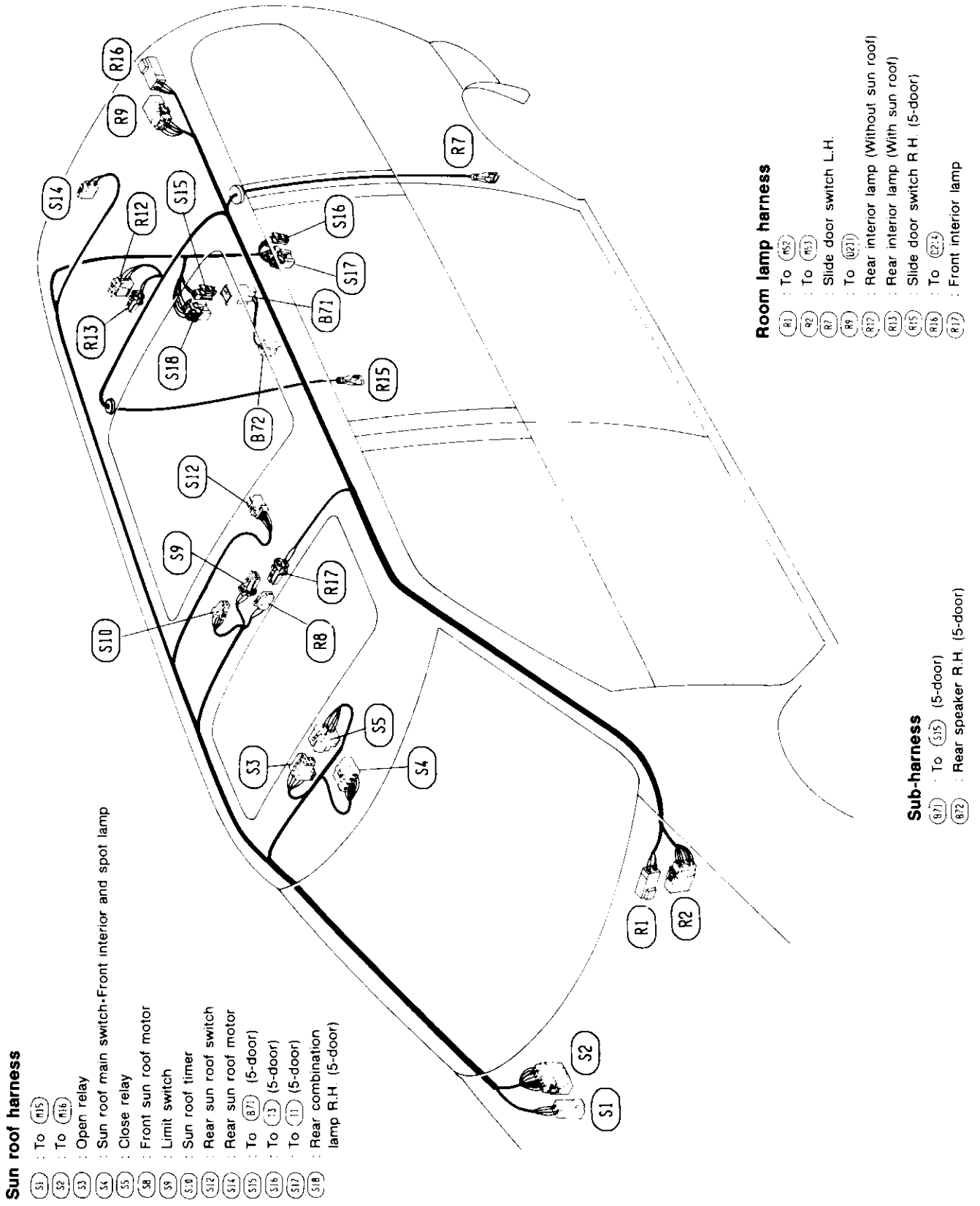
Sub-harness

- (B71) : To (515) (5-door)
- (B72) : Rear speaker L.H. (5-door)

HARNES LAYOUT

Room Lamp and Sun Roof Harness (Cont'd)

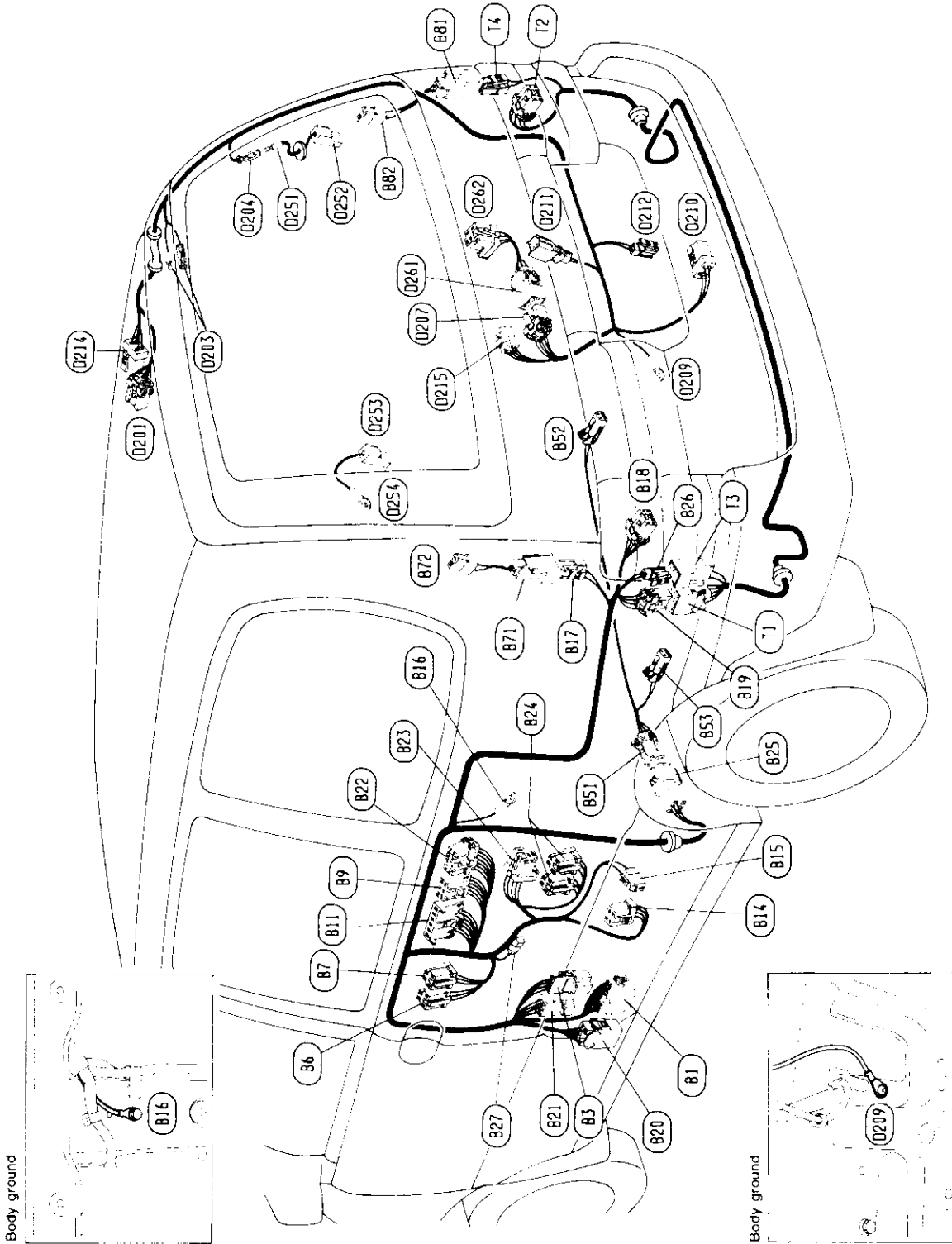
R.H.D. MODEL



HARNESS LAYOUT

Body and Back Door Harness

L.H.D. MODEL



HARNES LAYOUT

Body and Back Door Harness (Cont'd)

Back door harness

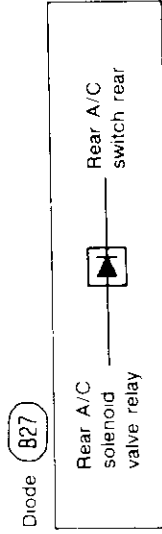
- (207) : To (88)
- (208) : High mounted stop lamp
- (209) : To (205)
- (210) : To (206)
- (211) : Body ground
- (212) : Door lock actuator
- (213) : License plate lamp
- (214) : Back door switch
- (215) : To (816)
- (216) : Rear wiper motor

Rear window defogger harness

- (251) : To (204)
- (252) : Rear window defogger (+)
- (253) : Rear window defogger (-)
- (254) : Body ground

Sub-harness (4-door model)

- (851) : To (825)
- (852) : Rear wheel sensor R.H. (ABS)
- (853) : Rear wheel sensor L.H. (ABS)



Body harness (4-door model)

- (81) : To (810)
- (82) : To (810)
- (83) : Rear solenoid valve relay
- (84) : Rear heater relay
- (85) : Rear heater switch
- (86) : Rear fan switch
- (87) : Rear fan resistor
- (88) : Rear blower motor
- (89) : Body ground
- (90) : To (81)
- (91) : Rear combination lamp R.H. (Outer)
- (92) : To (81)
- (93) : To (81)
- (94) : Rear A/C switch
- (95) : Rear blower relay
- (96) : Rear A/C relay
- (97) : To (851)
- (98) : To (851)
- (99) : Diode

Sub-harness

- (826) : To (207)
- (827) : Rear wiper relay

Rear speaker harness

- (871) : To (87)
- (872) : Rear speaker R.H.
- (873) : To (87)
- (874) : Rear speaker L.H.

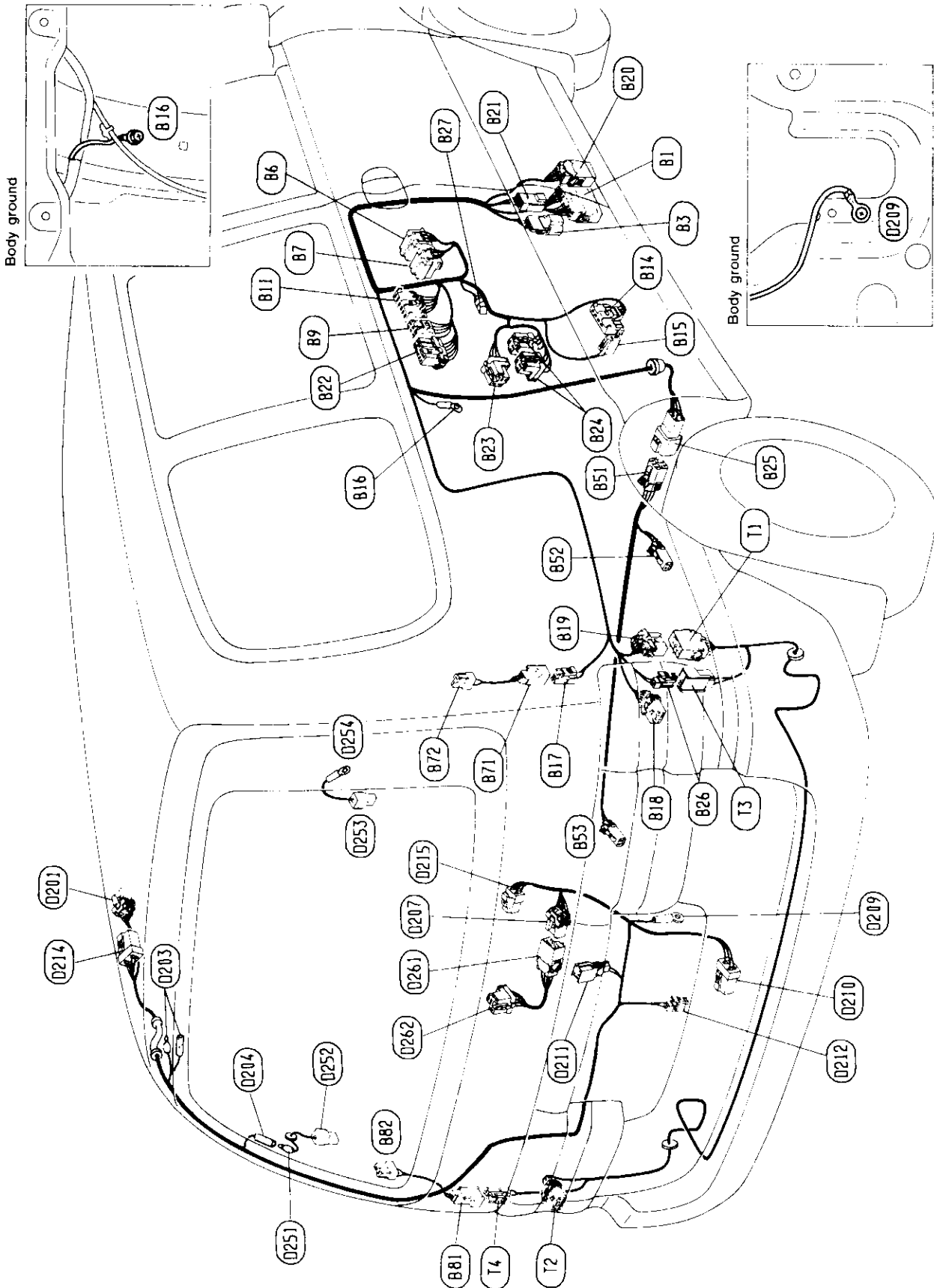
Tail harness

- (11) : To (819)
- (12) : Rear combination lamp L.H. (Outer)
- (13) : To (826)
- (14) : To (881)

HARNESS LAYOUT

Body and Back Door Harness (Cont'd)

R.H.D. MODEL



HARNES LAYOUT

Body and Back Door Harness (Cont'd)

Body harness (4-door model)

- (81) : To (6104)
- (83) : To (6136)
- (86) : Rear solenoid valve relay
- (87) : Rear heater relay
- (89) : Rear heater switch
- (91) : Rear fan switch
- (93) : Rear fan resistor
- (94) : Rear blown motor
- (95) : Body ground
- (97) : To (477)
- (98) : Rear combination lamp R.H. (Outer)
- (99) : To (11)
- (100) : To (412)
- (101) : To (6110)
- (102) : Rear A/C switch
- (103) : Rear blower relay
- (104) : Rear A/C relay
- (105) : To (831)
- (106) : To (1)
- (107) : Diode

Sub-harness

- (241) : To (227)
- (262) : Rear wiper relay

Rear speaker harness

- (67) : To (517)
- (68) : Rear speaker R.H.
- (69) : To (14)
- (62) : Rear speaker L.H.

Tail harness

- (1) : To (610)
- (2) : Rear combination lamp L.H. (Outer)
- (3) : To (826)
- (4) : To (88)

Back door harness

- (210) : To (89)
- (263) : High-mounted stop lamp
- (274) : To (851)
- (277) : To (126)
- (210) : Body ground
- (219) : Door lock actuator
- (217) : License plate lamp
- (227) : Back door switch
- (214) : To (816)
- (215) : Rear wiper motor

Rear window defogger harness

- (24) : To (204)
- (25) : Rear window defogger (+)
- (25) : Rear window defogger (-)
- (254) : Body ground

Sub-harness (4-door model)

- (95) : To (625)
- (627) : Rear wheel sensor R.H. (ABS)
- (351) : Rear wheel sensor L.H. (ABS)

